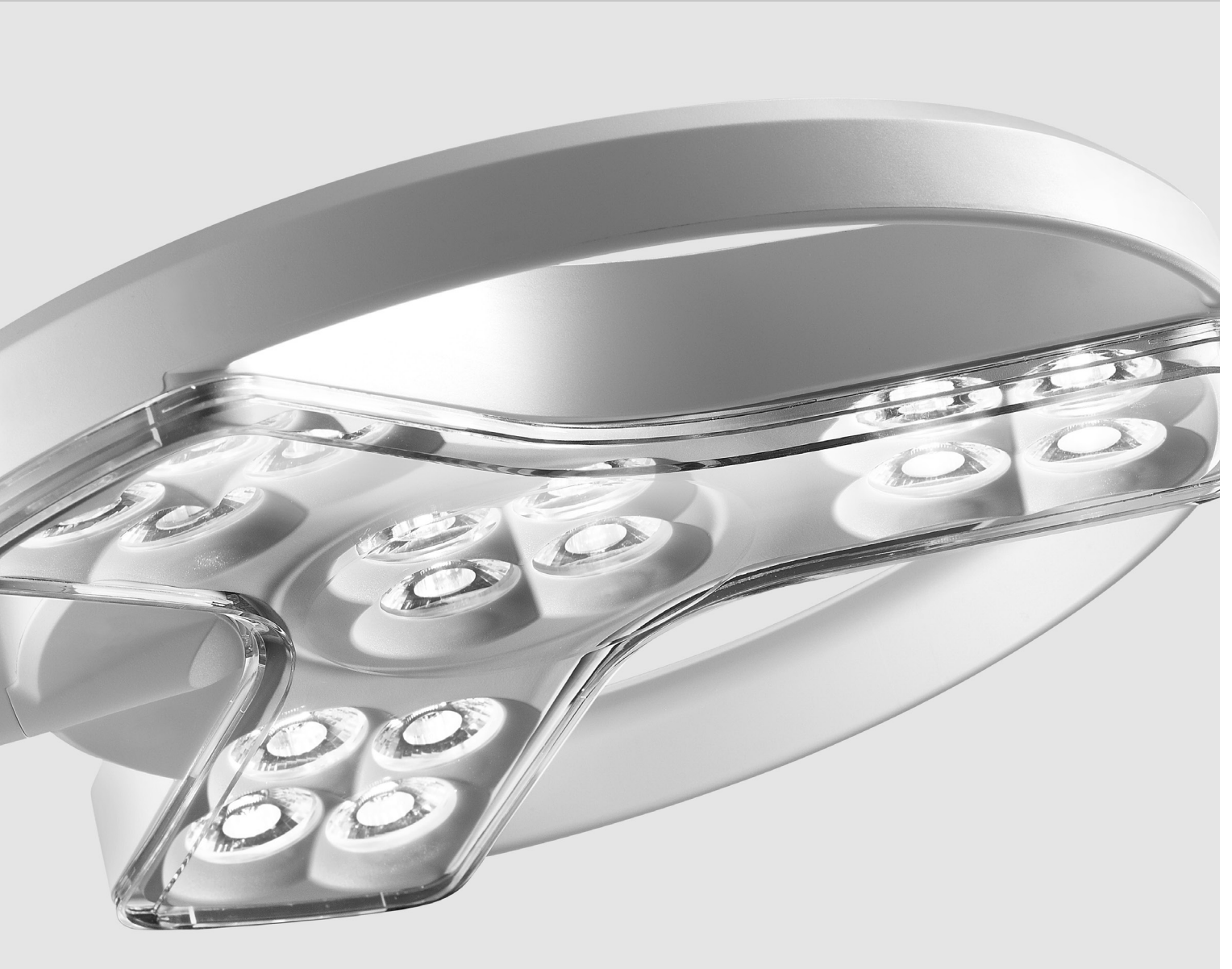


Technical product overview

2025



Technical Product Overview 2025

Discover a compact selection of our latest technical products in this catalog. Derungs Licht AG offers solutions for a wide range of needs – innovative, efficient, and at the cutting edge of technology.

Language English

www.derungs.swiss

Content

Surgical lights

• TRIANGO 130 C Duo	5
• TRIANGO 130 C	6
• TRIANGO 130 W	7
• TRIANGO 130 F	8
• TRIANGO 100 C Duo	9
• TRIANGO 100 C	10
• TRIANGO 100 W	11
• TRIANGO 100 F	12
• TRIANGO 100 F BATTERY	13
• TRIANGO 80-1 C	14
• TRIANGO 80-1 W	15
• TRIANGO 80-1 F	16
• TRIANGO 80-1 F BATTERY	17
• TRIANGO 60-1 C	18
• TRIANGO 60-1 W	19
• TRIANGO 60-1 F	20
• TRIANGO 60-1 F BATTERY	21

Examination lights

• VISIANO 20-2 C T1	22
• VISIANO 20-2 P TX	23
• VISIANO 10-1 P S10	24
• HALUX N50-3 P FX	25
• HALUX N50-1 P FX	26
• HALUX N50-3 P SX	27
• HALUX N50-1 P SX	28
• HALUX N30-1 P F1	29
• HALUX N30-1 P SGV Gyn	30
• HALUX N30-1 P SG	31
• HALUX N30-1 P S	32
• HALUX N30-1 F	33
• HALUX N30-1 Ambulance	34

Task lights for dental laboratories

• TANE0 Lab	35
-------------	----

Magnifier luminaire

• OPTICLUX 10-2 C T1 (Wood's Light)	36
• OPTICLUX 10-1 C T1	37
• OPTICLUX 10-2 P TX (Wood's Light)	38
• OPTICLUX 10-1 P TX	39
• OPTICLUX Hand 10-2 UV (Wood's Light)	40
• OPTICLUX Hand 10-1 DL	41

Care lights

• AMALIA 9 P S4	42
• AMALIA 9 P S4 clinic	43
• AMALIA 9 P S7	44
• AMALIA 9 B S8	45
• AMALIA 9 F S3 (30°)	46
• CULTA LED S 4 P S3	47
• CULTA LED S 4 B S9	48

Mounting hardware

• Standard 25 × 10 mm wall rail system	49
• Intermediate ceiling adapter, Cover plate	50
• Bedside table adapter, Extension arm	51
• Table clamp, Universal mount	51
• Rail mount, Rail mount for Gynaecology chair, Wall mount, Wall mount (Alu), Tubular mount,	52
• Rolling floor stand RL	53

Accessories

• Handles	53
• OPTICLUX Hand charging station	53
• BATTERY - UPSmed Pack	54
• TANE0 Lab Additional magnifying lens	56
• Decor	56

Spare lamps

• Replacement lamps for Derungs lights	56
--	----

Support arm systems

• TENO, VISO	57
--------------	----

100% medical engineering	58
--------------------------	----



TRIANGO 130 C Duo

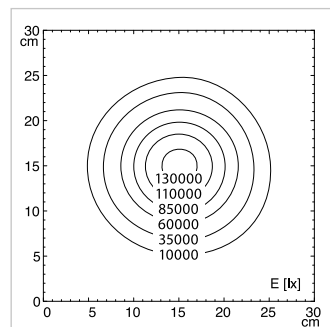
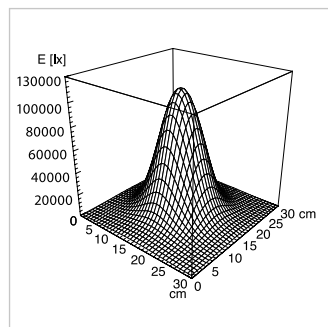
TECHNICAL DATA	
FITTED WITH	2 x LED module
LUMINOUS POWER	2 x 130 000 lux @ 1.0 m *
COLOR RENDERING INDEX	Ra > 96
DEPTH OF ILLUMINATION	170 cm
OPERATION EQUIPMENT	Electronic converter
CORD LENGTH	Direct power supply
LUMINAIRE BODY	Polyamide (PA)
WEIGHT (NET)	30 kg (Duo total)
POWER CONSUMPTION	2 x 40 W
RATED CONNECTION VOLTAGE	100 - 240 V
FREQUENCY RANGE	50 / 60 Hz
USAGE	Touch panel on cardanic system
TECHNOLOGY	1-pole secondary
BALANCE OF ARTICULATION JOINTS	Spring (weight compensation)
CLASS OF PROTECTION	I
PROTECTION RATING	According to IEC 60529 IP 20 luminaire head IP 43 (horizontal position)
STANDARDS MET	EN 60601-1, EN 60601-2-41
SPECIAL FEATURES	Handle, high quality arm system, 4-step dimmable (100% / 80% / 60% / 40%) *, focusable, color changeable
MOUNTING	Ceiling mount, ceiling tube can be cut on site (length: 25-120 cm)
ACCESSORIES	Sterilizable surgical handle, disposable cover, interme- diate ceiling adapter

SURGICAL LIGHTS

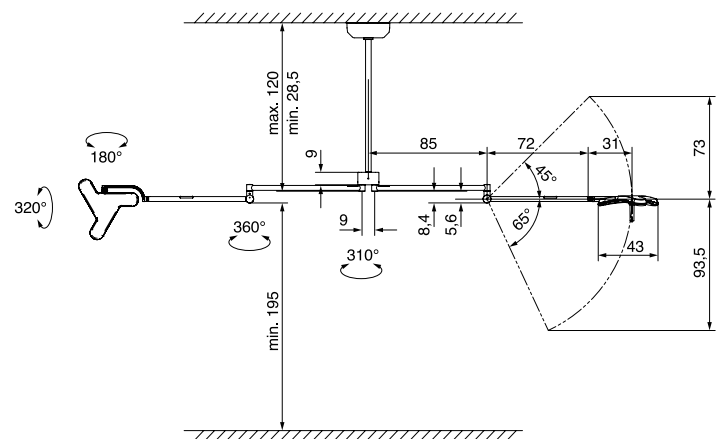


	illuminated area @ 1.0 m changeable value 16 / 20 / 25 cm	color temperature changeable value 3700 / 4300 / 4700 K*	dimmable	Order No.
TRIANGO Fokus 130-3 C Duo	x	x	x	D16.248.000-00815890

LIGHT DISTRIBUTION



TECHNICAL DRAWING



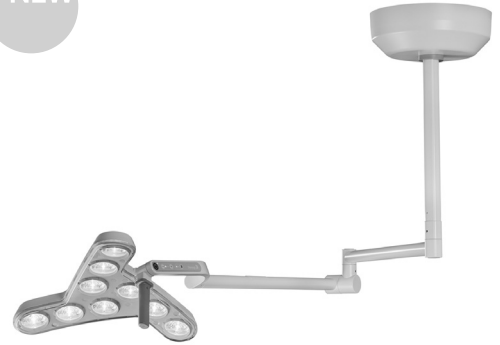
Valid for Triango 130 with fixed illuminated area / per luminaire head

TRIANGO 130 C

TECHNICAL DATA	
FITTED WITH	1 x LED module
LUMINOUS POWER	130 000 lux @ 1.0 m *
COLOR RENDERING INDEX	Ra > 96
DEPTH OF ILLUMINATION	170 cm
OPERATION EQUIPMENT	Electronic converter
CORD LENGTH	Direct power supply
LUMINAIRE BODY	Polyamide (PA)
WEIGHT (NET)	15.9 kg
POWER CONSUMPTION	40 W
RATED CONNECTION VOLTAGE	100 - 240 V
FREQUENCY RANGE	50 / 60 Hz
USAGE	Touch panel on cardanic system
TECHNOLOGY	1-pole secondary
BALANCE OF ARTICULATION JOINTS	Spring (weight compensation)
CLASS OF PROTECTION	I
PROTECTION RATING	According to IEC 60529 IP 20 luminaire head IP 43 (horizontal position)
STANDARDS MET	EN 60601-1, EN 60601-2-41
SPECIAL FEATURES	Handle, high quality arm system, 4-step dimmable (100% / 80% / 60% / 40%) *, focusable, color changeable
MOUNTING	Ceiling mount, ceiling tube can be cut on site (length: 25-120 cm)
ACCESSORIES	Sterilizable surgical handle, disposable cover, inter- mediate ceiling adapter

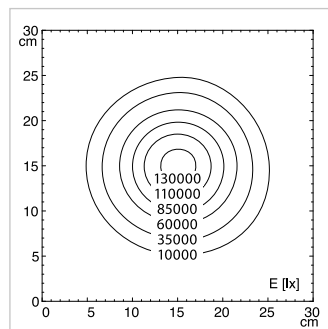
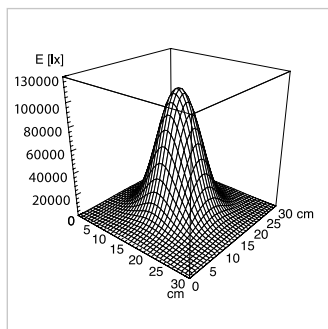
SURGICAL LIGHTS

NEW



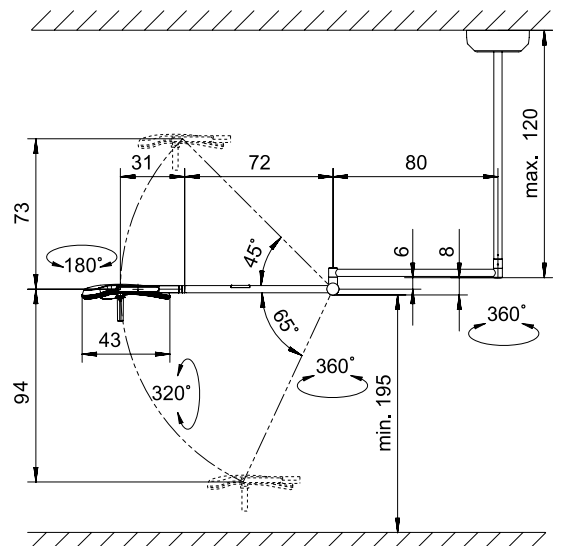
	illuminated area @ 1.0 m	color temperature	dimmable	Order No.
	changeable value 16 / 20 / 25 cm	changeable value 3700 / 4300 / 4700 K*		
TRIANGO Fokus 130-3 C	x	x	x	D16.290.000-00815879

LIGHT DISTRIBUTION



valid for Triango 130 with fixed illuminated area

TECHNICAL DRAWING



TRIANGO 130 W

TECHNICAL DATA	
FITTED WITH	1 × LED module
LUMINOUS POWER	130 000 lux @ 1.0 m *
COLOR RENDERING INDEX	Ra > 96
DEPTH OF ILLUMINATION	170 cm
OPERATION EQUIPMENT	Electronic converter
CORD LENGTH	Direct power supply
LUMINAIRE BODY	PA
WEIGHT (NET)	15.3 kg
POWER CONSUMPTION	40 W
RATED CONNECTION VOLTAGE	100 - 240 V
FREQUENCY RANGE	50 / 60 Hz
USAGE	Touch panel on cardanic system
TECHNOLOGY	1-pole secondary
BALANCE OF ARTICULATION JOINTS	Spring (weight compensation)
CLASS OF PROTECTION	I
PROTECTION RATING	According to IEC 60529 IP 20 luminaire head IP 43 (horizontal position)
STANDARDS MET	EN 60601-1, EN 60601-2-41
SPECIAL FEATURES	Handle, high quality arm system, 4-step dimmable (100% / 80% / 60% / 40%) *, focusable, color changeable
MOUNTING	Wall mount
ACCESSORIES	Sterilizable surgical handle, disposable cover

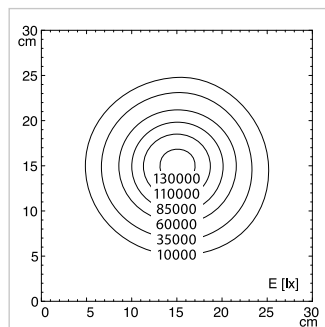
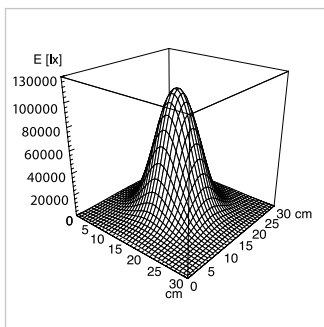
SURGICAL LIGHTS

NEW



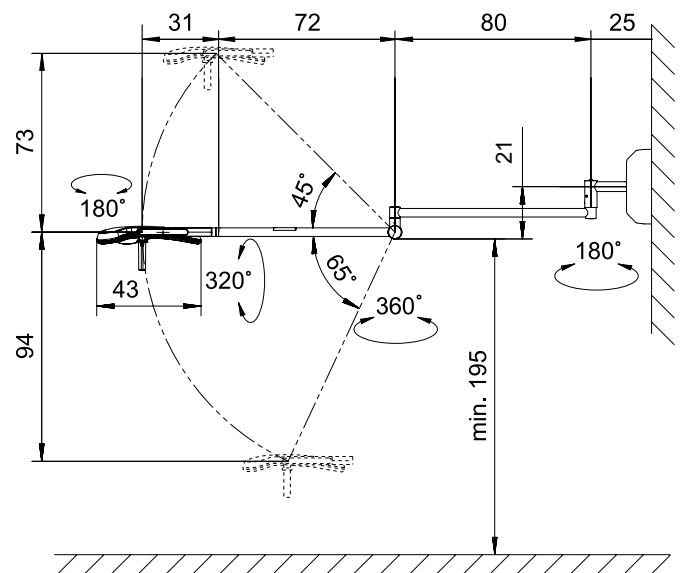
	illuminated area @ 1.0 m changeable value 16 / 20 / 25 cm	color temperature changeable value 3700 / 4300 / 4700 K*	dimmable	Order No.
TRIANGO Fokus 130-3 W	x	x	x	D16.291.000-00815626

LIGHT DISTRIBUTION



valid for Triango 100 with fixed illuminated area

TECHNICAL DRAWING



measurements in centimeters * -10% / +20% tolerance

TRIANGO 130 F

TECHNICAL DATA

FITTED WITH	1 × LED module
LUMINOUS POWER	130 000 lux @ 1.0 m *
COLOR RENDERING INDEX	Ra > 96
DEPTH OF ILLUMINATION	170 cm
OPERATION EQUIPMENT	Electronic converter
CORD LENGTH	3 m
LUMINAIRE BODY	PA
WEIGHT (NET)	20.0 Kg
POWER CONSUMPTION	40 W
RATED CONNECTION VOLTAGE	100 - 240 V
FREQUENCY RANGE	50 / 60 Hz
USAGE	Touch panel on cardanic system
TECHNOLOGY	1-pole secondary
BALANCE OF ARTICULATION JOINTS	Spring (weight compensation)
CLASS OF PROTECTION	I
PROTECTION RATING	According to IEC 60529 IP 20 luminaire head IP 43 (horizontal position)
STANDARDS MET	EN 60601-1, EN 60601-2-41
SPECIAL FEATURES	Handle, high quality arm system, 4-step dimmable (100% / 80% / 60% / 40%) *, focusable, color changeable
MOUNTING	roller stand
ACCESSORIES	Sterilizable surgical handle, disposable cover

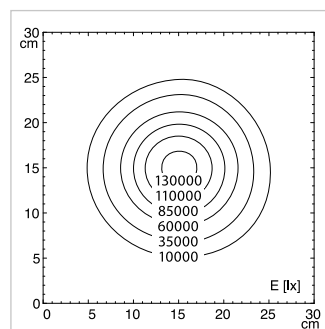
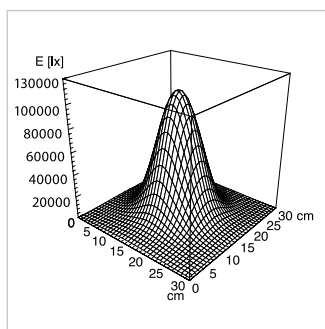
SURGICAL LIGHTS

NEW



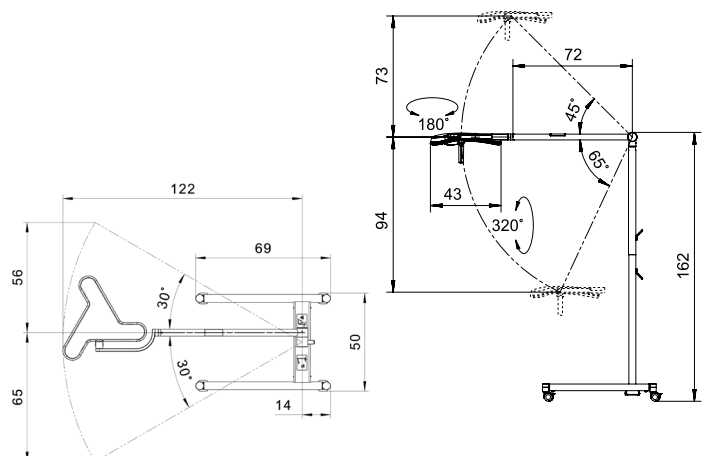
	illuminated area @ 1.0 m changeable value 16 / 20 / 25 cm	color temperature changeable value 3700 / 4300 / 4700 K*	dimmable	Order No.
TRIANGO Fokus 130-3 F	x	x	x	D16.295.000-00815630 CH D16.292.000-00815627 SCHUKO D16.293.000-00815268 UK

LIGHT DISTRIBUTION



valid for Triango 100 with fixed illuminated area

TECHNICAL DRAWING



TRIANGO 100 C Duo

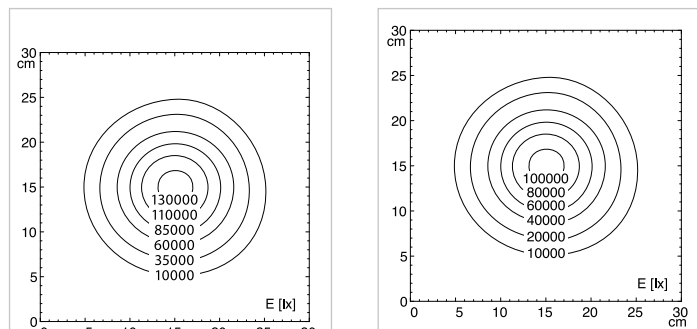
TECHNICAL DATA	
FITTED WITH	2 × LED module
LUMINOUS POWER	2 × 100 000 lux @ 1.0 m *
COLOR RENDERING INDEX	Ra > 96
DEPTH OF ILLUMINATION	80 cm
OPERATION EQUIPMENT	Electronic converter
CORD LENGTH	Direct power supply
LUMINAIRE BODY	Polyamide (PA)
WEIGHT (NET)	30 kg (Duo total)
POWER CONSUMPTION	2 × 40 W
RATED CONNECTION VOLTAGE	100 - 240 V
FREQUENCY RANGE	50 / 60 Hz
USAGE	Touch panel on cardanic system
TECHNOLOGY	1-pole secondary
BALANCE OF ARTICULATION JOINTS	Spring (weight compensation)
CLASS OF PROTECTION	I
PROTECTION RATING	According to IEC 60529 IP 20 luminaire head IP 43 (horizontal position)
STANDARDS MET	EN 60601-1, EN 60601-2-41
SPECIAL FEATURES	Diamond optics, handle, high quality arm system, 4-step dimmable (100% / 80% / 60% / 40%) *
MOUNTING	Ceiling mount, ceiling tube can be cut on site (length: 25-120 cm)
ACCESSORIES	Sterilizable surgical handle, disposable cover, interme- diate ceiling adapter

SURGICAL LIGHTS



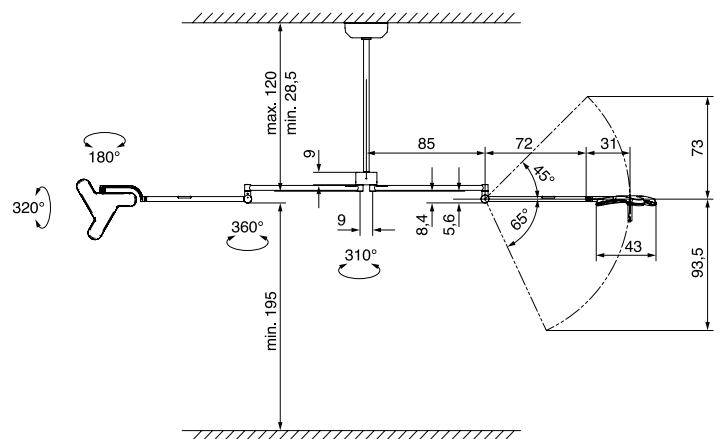
	illuminated area @ 1.0 m	illuminated area @ 1.0 m	color temperature	color temperature	dimmable	Order No.
	fixed value 18 cm	changeable value 18 / 23 / 28 cm	fixed value 4300 K *	changeable value 3700 / 4300 / 4700 K *		
TRIANGO 100-1 C Duo	x		x		x	D16.201.000-00811242
TRIANGO Fokus 100-3 C Duo		x		x	x	D16.202.000-00811330

LIGHT DISTRIBUTION



valid for Triango 100 with fixed illuminated area / per luminaire head

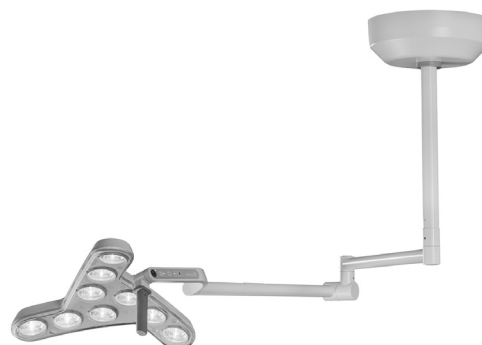
TECHNICAL DRAWING



TECHNICAL DATA

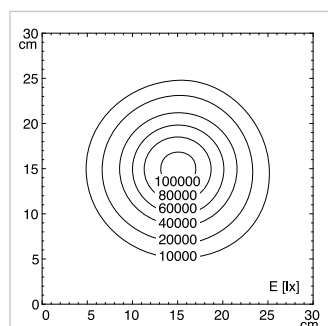
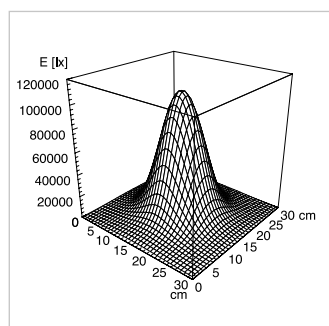
FITTED WITH	1 × LED module
LUMINOUS POWER	100 000 lux @ 1.0 m *
COLOR RENDERING INDEX	Ra > 96
DEPTH OF ILLUMINATION	80 cm
OPERATION EQUIPMENT	Electronic converter
CORD LENGTH	Direct power supply
LUMINAIRE BODY	Polyamide (PA)
WEIGHT (NET)	15.9 kg
POWER CONSUMPTION	40 W
RATED CONNECTION VOLTAGE	100 - 240 V
FREQUENCY RANGE	50 / 60 Hz
USAGE	Touch panel on cardanic system
TECHNOLOGY	1-pole secondary
BALANCE OF ARTICULATION JOINTS	Spring (weight compensation)
CLASS OF PROTECTION	I
PROTECTION RATING	According to IEC 60529 IP 20 luminaire head IP 43 (horizontal position)
STANDARDS MET	EN 60601-1, EN 60601-2-41
SPECIAL FEATURES	Diamond optics, handle, high quality arm system, 4-step dimmable (100% / 80% / 60% / 40%) *
MOUNTING	Ceiling mount, ceiling tube can be cut on site (length: 25-120 cm)
ACCESSORIES	Sterilizable surgical handle, disposable cover, intermediate ceiling adapter

SURGICAL LIGHTS



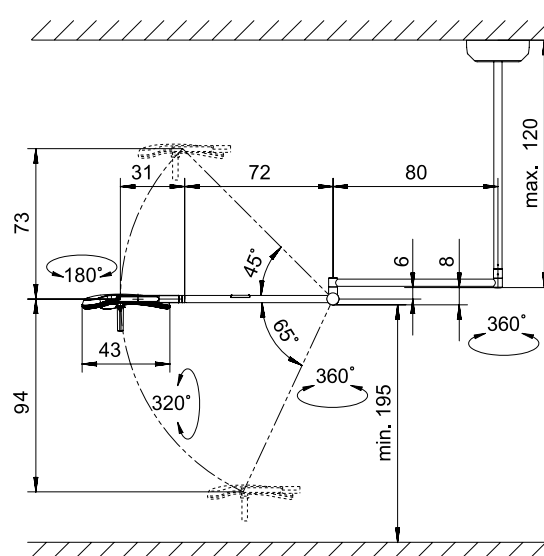
	illuminated area @ 1.0 m	illuminated area @ 1.0 m	color temperature	color temperature	dimmable	Order No.
	fixed value 18 cm	changeable value 18 / 23 / 28 cm	fixed value 4300 K *	changeable value 3 700 / 4 300 / 4 700 K *		
TRIANGO 100-1 C	x		x		x	D15.884.000-00802695
TRIANGO 100-3 C	x			x	x	D15.885.000-00803113
TRIANGO Fokus 100-1		x	x		x	D15.886.000-00803685
TRIANGO Fokus 100-3 C		x		x	x	D15.887.000-00803686
TRIANGO Endo 100-1 C	x		x		x Endo mode	D15.972.000-00803704

LIGHT DISTRIBUTION



valid for Triango 100 with fixed illuminated area

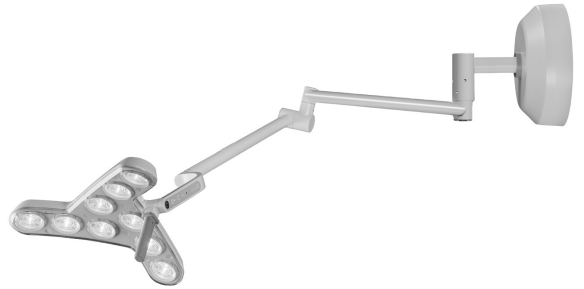
TECHNICAL DRAWING



TRIANGO 100 W

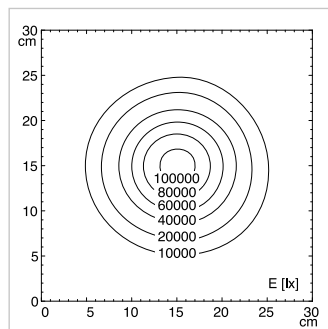
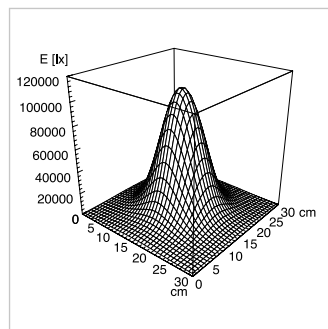
TECHNICAL DATA	
FITTED WITH	1 × LED module
LUMINOUS POWER	100 000 lux @ 1.0 m *
COLOR RENDERING INDEX	Ra > 96
DEPTH OF ILLUMINATION	80 cm
OPERATION EQUIPMENT	Electronic converter
CORD LENGTH	Direct power supply
LUMINAIRE BODY	PA
WEIGHT (NET)	15.3 kg
POWER CONSUMPTION	40 W
RATED CONNECTION VOLTAGE	100 - 240 V
FREQUENCY RANGE	50 / 60 Hz
USAGE	Touch panel on cardanic system
TECHNOLOGY	1-pole secondary
BALANCE OF ARTICULATION JOINTS	Spring (weight compensation)
CLASS OF PROTECTION	I
PROTECTION RATING	According to IEC 60529 IP 20 luminaire head IP 43 (horizontal position)
STANDARDS MET	EN 60601-1, EN 60601-2-41
SPECIAL FEATURES	Diamond optics, handle, high quality arm system, 4-step dimmable (100% / 80% / 60% / 40%) *
MOUNTING	Wall mount
ACCESSORIES	Sterilizable surgical handle, disposable cover

SURGICAL LIGHTS



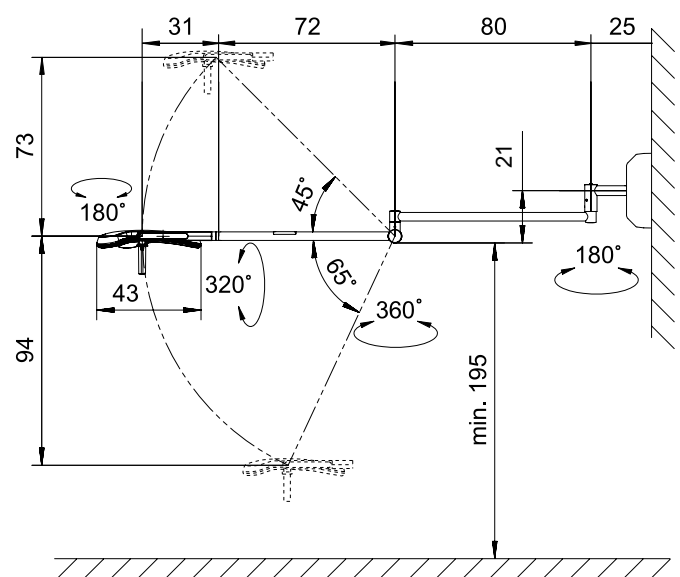
	illuminated area @ 1.0 m fixed value	illuminated area @ 1.0 m changeable value	color temperature fixed value	color temperature changeable value 3700 / 4300 / 4700 K *	dimmable	Order No.
	18 cm	18 / 23 / 28 cm	4300 K *			
TRIANGO 100-1 W	x		x		x	D15.888.000-00803663
TRIANGO 100-3 W	x			x	x	D15.889.000-00803114
TRIANGO Fokus 100-1 W		x	x		x	D15.890.000-00803687
TRIANGO Fokus 100-3 W		x		x	x	D15.891.000-00803688

LIGHT DISTRIBUTION



valid for Triango 100 with fixed illuminated area

TECHNICAL DRAWING



measurements in centimeters * -10% / +20% tolerance

TRIANGO 100 F

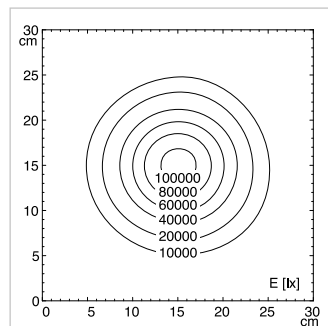
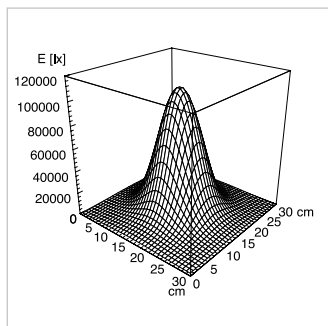
TECHNICAL DATA	
FITTED WITH	1 x LED module
LUMINOUS POWER	100 000 lux @ 1.0 m *
COLOR RENDERING INDEX	Ra > 96
DEPTH OF ILLUMINATION	80 cm
OPERATION EQUIPMENT	Electronic converter
CORD LENGTH	3 m
LUMINAIRE BODY	PA
WEIGHT (NET)	20.0 Kg
POWER CONSUMPTION	40 W
RATED CONNECTION VOLTAGE	100 - 240 V
FREQUENCY RANGE	50 / 60 Hz
USAGE	Touch panel on cardanic system
TECHNOLOGY	1-pole secondary
BALANCE OF ARTICULATION JOINTS	Spring (weight compensation)
CLASS OF PROTECTION	I
PROTECTION RATING	According to IEC 60529 IP 20 luminaire head IP 43 (horizontal position)
STANDARDS MET	EN 60601-1, EN 60601-2-41
SPECIAL FEATURES	Diamond optics, handle, high quality arm system, 4-step dimmable (100% / 80% / 60% / 40%) *
MOUNTING	roller stand
ACCESSORIES	Sterilizable surgical handle, disposable cover

SURGICAL LIGHTS



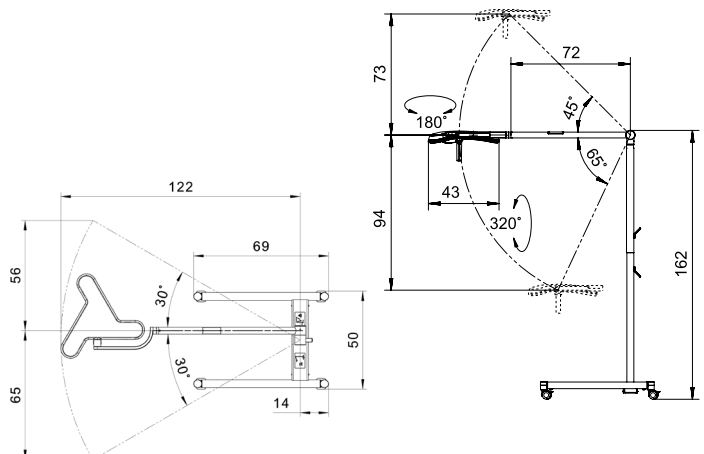
	illuminated area @ 1.0 m fixed value 18 cm	illuminated area @ 1.0 m changeable value 18 / 23 / 28 cm	color temperature fix 4300 K *	color temperature veränderbar 3700 / 4300 / 4700 K *	dimmable	Bestell-Nr.
TRIANGO 100-1 F	x		x		x	D15.923.000-00803670 - CH D15.892.000-00803664 - SCHUKO D15.911.000-00803665 - UK
TRIANGO 100-3 F	x			x	x	D15.924.000-00803671 - CH D15.893.000-00803115 - SCHUKO D15.912.000-00803187 - UK
TRIANGO Fokus 100-1 F		x	x		x	D15.925.000-00803698 - CH D15.894.000-00803689 - SCHUKO D15.913.000-00803700 - UK
TRIANGO Fokus 100-3 F		x		x	x	D15.926.000-00803699 - CH D15.895.000-00803690 - SCHUKO D15.914.000-00803188 - UK

LIGHT DISTRIBUTION



valid for Triango 100 with fixed illuminated area

TECHNICAL DRAWING



TRIANGO 100 F BATTERY

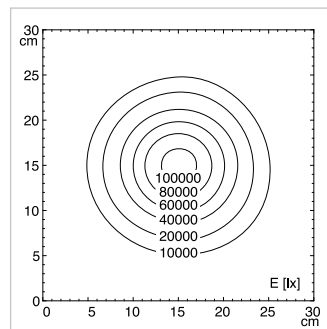
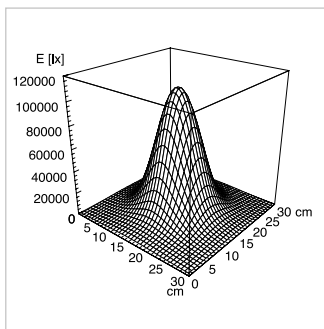
TECHNICAL DATA	
FITTED WITH	1 × LED module
LUMINOUS POWER	100 000 lux @ 1.0 m *
COLOR RENDERING INDEX	Ra > 96
DEPTH OF ILLUMINATION	80 cm
OPERATION EQUIPMENT	Electronic converter
CORD LENGTH	3 m
LUMINAIRE BODY	PA
WEIGHT (NET)	32 kg
POWER CONSUMPTION	40 W
RATED CONNECTION VOLTAGE	100 - 240 V
FREQUENCY RANGE	50 / 60 Hz
USAGE	Touch panel on cardanic system
TECHNOLOGY	1-pole secondary
BALANCE OF ARTICULATION JOINTS	Spring (weight compensation)
CLASS OF PROTECTION	I
PROTECTION RATING	According to IEC 60529 IP 20 luminaire head IP 43 (horizontal position)
STANDARDS MET	EN 60601-1, EN 60601-2-41
SPECIAL FEATURES	Diamond optics, handle, high quality arm system, 4-step dimmable (100% / 80% / 60% / 40%) *, BATTERY - UPSmed Pack
MOUNTING	roller stand
ACCESSORIES	Sterilizable surgical handle, disposable cover
BATTERY LIFE UP TO 70%	1 200 cycles
BATTERY RUNTIME	- 4.5 h
BATTERY TYPE	NP17-12I Industrial VRLA Battery

SURGICAL LIGHTS



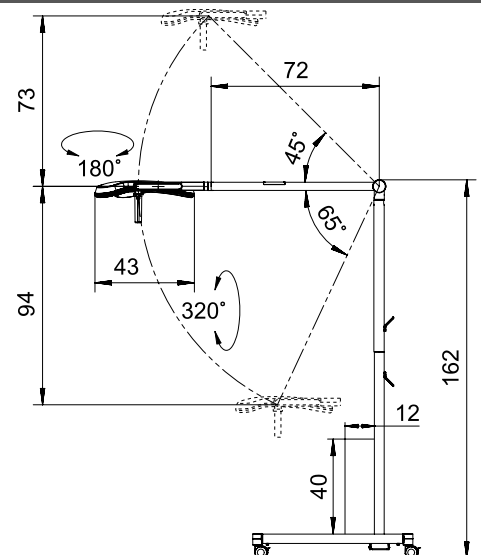
	illuminated area @ 1.0 m	illuminated area @ 1.0 m	color temperature	color temperature	dimmable	Order No.
	fixed value	changeable value	fixed value	changeable value		
	18 cm	18 / 23 / 28 cm	4300 K *	3700 / 4300 / 4700 K *		
TRIANGO 100-1 F BATTERY	x		x		x	D16.224.000-00814493 - CH D16.222.000-00814491 - SCHUKO D16.226.000-00814495 - UK
TRIANGO Fokus 100-3 F BATTERY		x		x	x	D16.225.000-00814494 - CH D16.223.000-00814492 - SCHUKO D16.231.000-00814496 - UK

LIGHT DISTRIBUTION



valid for Triango 100 with fixed illuminated area

TECHNICAL DRAWING

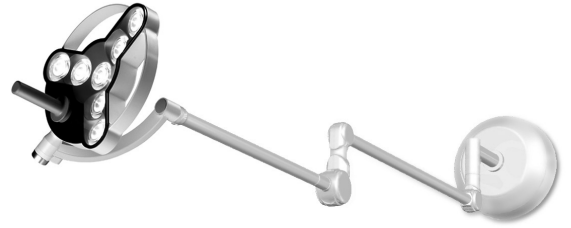


measurements in centimeters * -10% / +20% tolerance

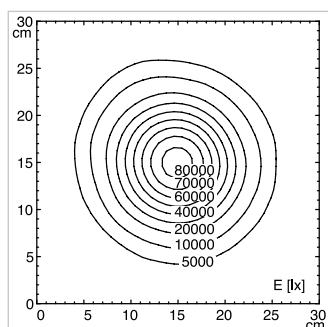
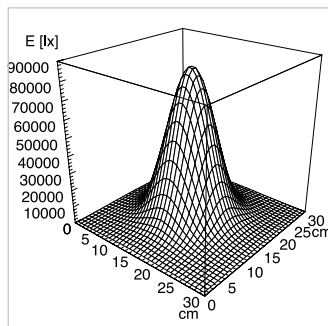
TRIANGO 80 W

TECHNICAL DATA	
FITTED WITH	1 × LED module
LUMINOUS POWER	80 000 lux @ 1.0 m *
COLOR TEMPERATURE	4 500 K *
ILLUMINATED AREA 1.0 m	∅ 18 cm*
DEPTH OF ILLUMINATION	124 cm
COLOR RENDERING INDEX	CRI > 95
OPERATION EQUIPMENT	Electronic converter
CORD LENGTH	Direct power supply
LUMINAIRE BODY	Polycarbonate & acrylonitrile butadiene styrene copolymer (PC & ABS)
WEIGHT (NET)	13.5 kg
POWER CONSUMPTION	30 Watt
RATED CONNECTION VOLTAGE	100 - 240 V
FREQUENCY RANGE	50 / 60 Hz
USAGE	Rotary switch on the luminaire head
TECHNOLOGY	1-pole secondary
BALANCE OF ARTICULATION JOINTS	Spring (weight compensation)
CLASS OF PROTECTION	I
PROTECTION RATING	According to IEC 60529 IP 20 luminaire head IP 43 (horizontal position)
STANDARDS MET	EN 60601-1, EN 60601-2-41
SPECIAL FEATURES	Continuously dimmable (40-100%) *, handle
MOUNTING	Wall mount
ACCESSORIES	Sterilizable surgical handle, disposable cover for handle
ORDER NUMBER	D16.136.000-00808986

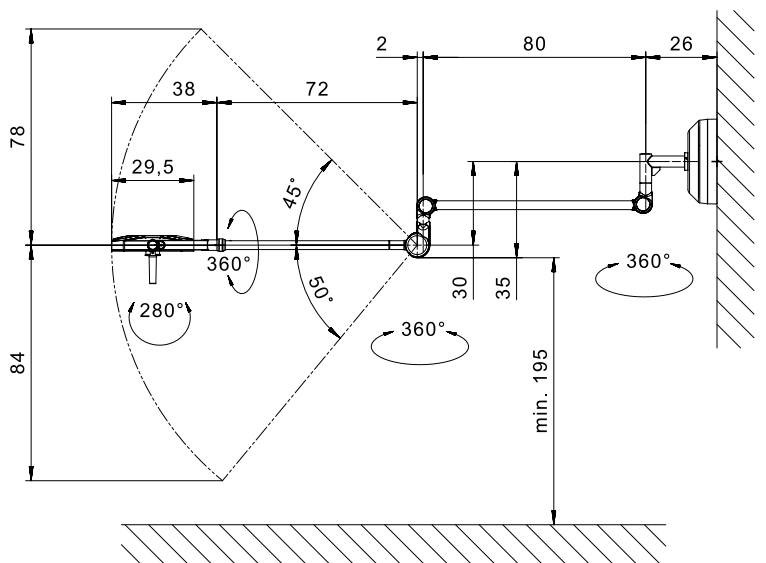
SURGICAL LIGHTS



LIGHT DISTRIBUTION



TECHNICAL DRAWING



TRIANGO 80 F

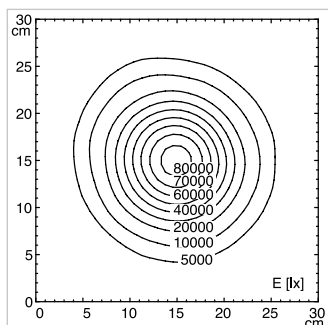
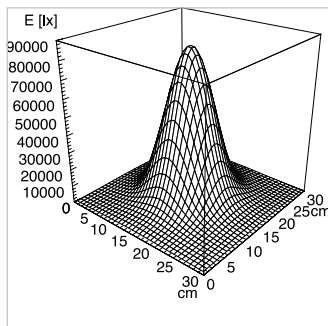
TECHNICAL DATA

FITTED WITH	1 × LED module
LUMINOUS POWER	80 000 Lux @ 1.0 m *
COLOR TEMPERATURE	4 500 K *
ILLUMINATED AREA 1.0 m	∅ 18 cm*
DEPTH OF ILLUMINATION	124 cm
COLOR RENDERING INDEX	CRI > 95
OPERATION EQUIPMENT	Electronic converter
CORD LENGTH	3 m
LUMINAIRE BODY	Polycarbonate & Acrylonitrile-butadiene-styrene-copolymer (PC & ABS)
WEIGHT (NET)	20 kg
POWER CONSUMPTION	30 Watt
RATED CONNECTION VOLTAGE	100 - 240 V
FREQUENCY RANGE	50 / 60 Hz
USAGE	Rotary switch on the luminaire head
TECHNOLOGY	1-pole secondary
BALANCE OF ARTICULATION JOINTS	Spring (weight compensation)
CLASS OF PROTECTION	I
PROTECTION RATING	According to IEC 60529 IP 20 luminaire head IP 43 (horizontal position)
STANDARDS MET	EN 60601-1, EN 60601-2-41
SPECIAL FEATURES	Continuously dimmable (40-100%) *, handle
MOUNTING	roller stand
ACCESSORIES	disposable cover for handle, intermediate ceiling adaptor, sterilizable surgical handle
ORDER NUMBER	D16.132.000-00808982 - pure white - Schuko D16.133.000-00808983 - pure white - CH D16.134.000-00808984 - pure white - UK

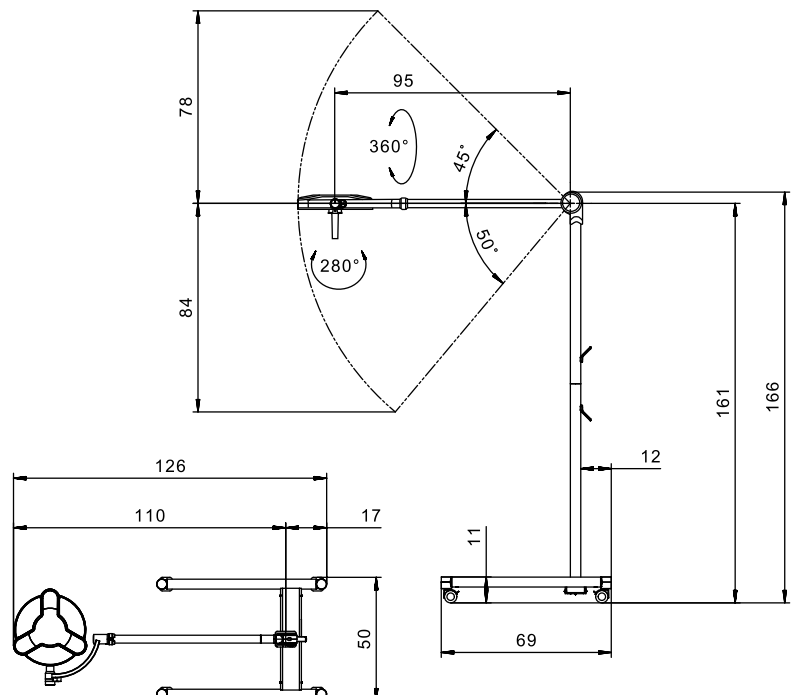
SURGICAL LIGHTS



LIGHT DISTRIBUTION



TECHNICAL DRAWING



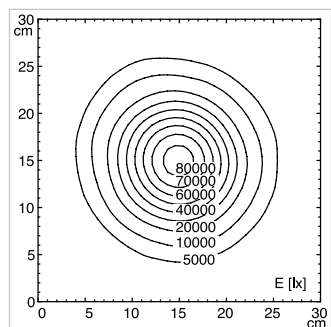
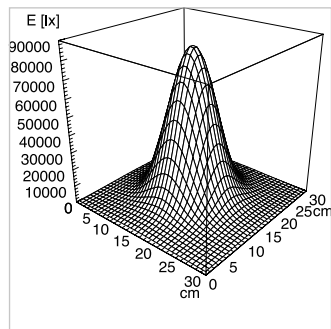
TRIANGO 80 F BATTERY

TECHNICAL DATA	
FITTED WITH	1 × LED module
LUMINOUS POWER	80 000 Lux @ 1.0 m *
COLOR TEMPERATURE	4 500 K *
ILLUMINATED AREA 1.0 m	ø 18 cm*
DEPTH OF ILLUMINATION	124 cm
COLOR RENDERING INDEX	CRI > 95
OPERATION EQUIPMENT	Electronic converter
CORD LENGTH	3 m
LUMINAIRE BODY	Polycarbonate & Acrylonitrile-butadiene-styrene-copolymer (PC & ABS)
WEIGHT (NET)	32 kg
POWER CONSUMPTION	30 Watt
RATED CONNECTION VOLTAGE	100 - 240 V
FREQUENCY RANGE	50 / 60 Hz
USAGE	Rotary switch on the luminaire head
TECHNOLOGY	1-pole secondary
BALANCE OF ARTICULATION JOINTS	Spring (weight compensation)
CLASS OF PROTECTION	I
PROTECTION RATING	According to IEC 60529 IP 20 luminaire head IP 43 (horizontal position)
STANDARDS MET	EN 60601-1, EN 60601-2-41
SPECIAL FEATURES	Continuously dimmable (40-100%) *, handle, BATTERY - UPSmed Pack
MOUNTING	roller stand
ACCESSORIES	disposable cover for handle, intermediate ceiling adapter, sterilizable surgical handle
BATTERY LIFE UP TO 70%	1 200 cycles
BATTERY RUNTIME	- 6.5 h
BATTERY TYPE	NP17-12I Industrial VRLA Battery
ORDER NUMBER	D16.218.000-00 814487 - CH D16.209.000-00 814486 - Schuko D16.219.000-00 814488 - UK

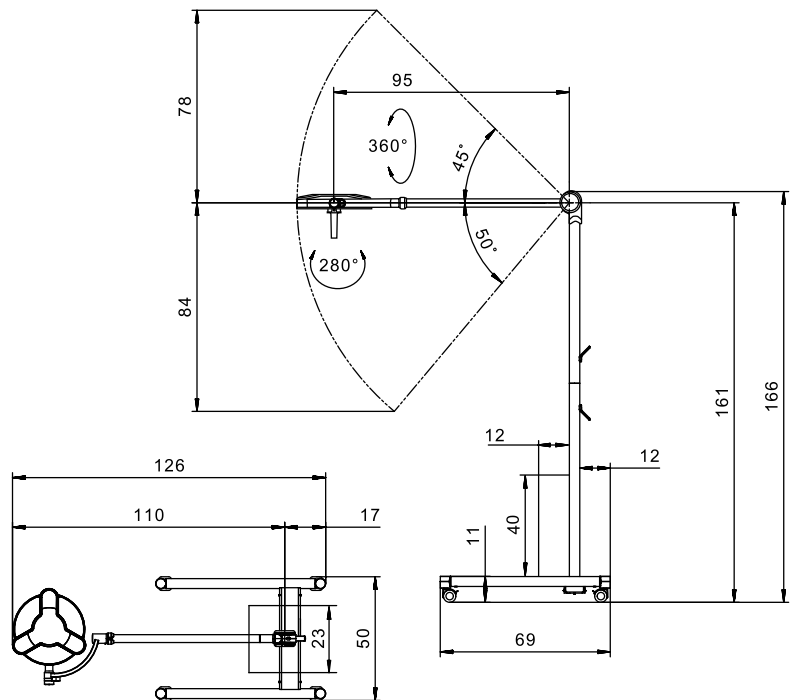
SURGICAL LIGHTS



LIGHT DISTRIBUTION



TECHNICAL DRAWING



TRIANGO 60 C

TECHNICAL DATA

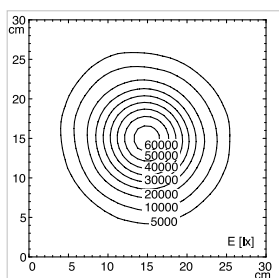
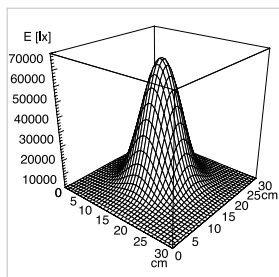
FITTED WITH	1 × LED module
LUMINOUS POWER	60 000 lux @ 1.0 m *
DEPTH OF ILLUMINATION	140 cm
COLOR RENDERING INDEX	CRI > 95
OPERATION EQUIPMENT	Electronic converter
CORD LENGTH	Direct power supply
LUMINAIRE BODY	Polyamide (PA)
WEIGHT (NET)	13 kg
POWER CONSUMPTION	< 30 W
RATED CONNECTION VOLTAGE	100 - 240 V
FREQUENCY RANGE	50 / 60 Hz
USAGE	Touch panel on cardanic system
TECHNOLOGY	1-pole secondary
BALANCE OF ARTICULATION JOINTS	Spring (weight compensation)
CLASS OF PROTECTION	I
PROTECTION RATING	According to IEC 60529 IP 20 luminaire head IP 43 (horizontal position)
STANDARDS MET	EN 60601-1, EN 60601-2-41
SPECIAL FEATURES	Continuously dimmable (15-100%) *,handle
MOUNTING	Ceiling mount, ceiling tube could be cut to length 25-120 cm
ACCESSORIES	Sterilizable surgical handle, disposable cover for handle,

SURGICAL LIGHTS

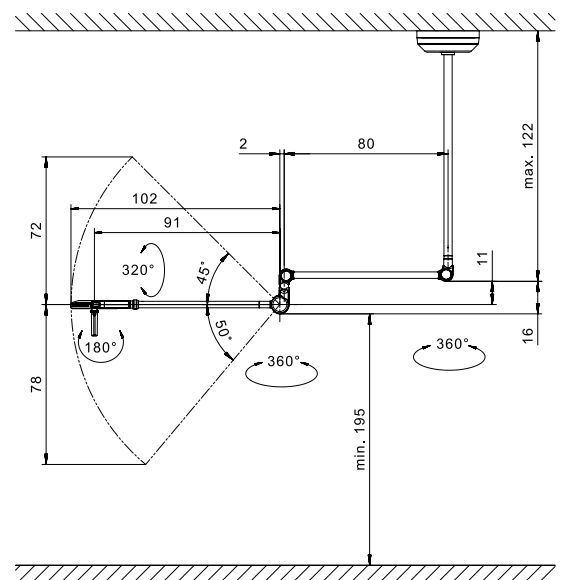


	illuminated area @ 1.0 m fixed value 18 cm	illuminated area @ 1.0 m changeable value 18 / 23 / 25	color temper- ature fixed value 4700 K *	color temper- ature changeable value 3700 / 4300 / 4700 K *	dimmable	Order No.
TRIANGO 60-1 C	x		x		x	D16.250.000-00813741
TRIANGO 60-3 C	x			x	x	D16.251.000-00814310
TRIANGO Fokus 60-1 C		x	x		x	D16.252.000-00814311

LIGHT DISTRIBUTION



TECHNICAL DRAWING



measurements in centimeters * -10% / +20% tolerance

TRIANGO 60 W

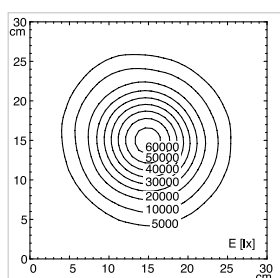
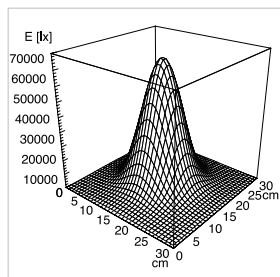
TECHNICAL DATA	
FITTED WITH	1 × LED module
LUMINOUS POWER	60 000 lux @ 1.0 m *
DEPTH OF ILLUMINATION	140 cm
COLOR RENDERING INDEX	CRI > 95
OPERATION EQUIPMENT	Electronic converter
CORD LENGTH	Direct power supply
LUMINAIRE BODY	Polyamide (PA)
WEIGHT (NET)	12.5 kg
POWER CONSUMPTION	< 30 W
RATED CONNECTION VOLTAGE	100 - 240 V
FREQUENCY RANGE	50 / 60 Hz
USAGE	Touch panel on cardanic system
TECHNOLOGY	1-pole secondary
BALANCE OF ARTICULATION JOINTS	Spring (weight compensation)
CLASS OF PROTECTION	I
PROTECTION RATING	According to IEC 60529 IP 20 luminaire head IP 43 (horizontal position)
STANDARDS MET	EN 60601-1, EN 60601-2-41
SPECIAL FEATURES	Continuously dimmable (15-100%) *, handle
MOUNTING	Wall mount
ACCESSORIES	Sterilizable surgical handle, disposable cover for handle

SURGICAL LIGHTS

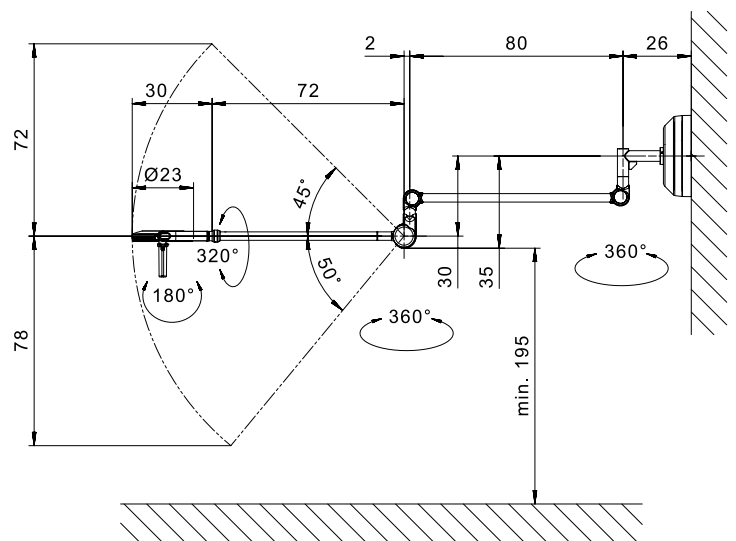


	illuminated area @ 1.0 m fixed value 18 cm	lighting field @ 1.0 m changeable value 18 / 23 / 25	color temper- ature fixed value 4700 K *	color temper- ature changeable value 3700 / 4300 / 4700 K *	dimmable	Order No.
TRIANGO 60-1 W	x		x		x	D16.256.000-00813742
TRIANGO 60-3 W	x			x	x	D16.257.000-00814315
TRIANGO Fokus 60-1 W		x	x		x	D16.258.000-00814316

LIGHT DISTRIBUTION



TECHNICAL DRAWING



TRIANGO 60 F

TECHNICAL DATA

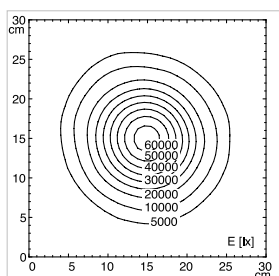
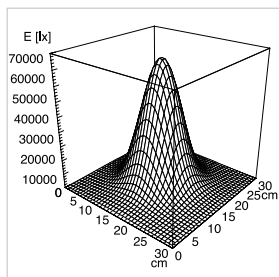
FITTED WITH	1 × LED module
LUMINOUS POWER	60 000 Lux @ 1.0 m *
DEPTH OF ILLUMINATION	140 cm
COLOR RENDERING INDEX	CRI > 95
OPERATION EQUIPMENT	Electronic converter
CORD LENGTH	3 m
LUMINAIRE BODY	Polyamide (PA)
WEIGHT (NET)	19 kg
POWER CONSUMPTION	< 30 W
RATED CONNECTION VOLTAGE	100 - 240 V
FREQUENCY RANGE	50 / 60 Hz
USAGE	Touch panel on cardanic system
TECHNOLOGY	1-pole secondary
BALANCE OF ARTICULATION JOINTS	Spring (weight compensation)
CLASS OF PROTECTION	I
PROTECTION RATING	According to IEC 60529 IP 20 luminaire head IP 43 (horizontal position)
STANDARDS MET	EN 60601-1, EN 60601-2-41
SPECIAL FEATURES	Continuously dimmable (15-100%) *, handle
MOUNTING	roller stand
ACCESSORIES	Disposable cover for handle, intermediate ceiling adapter

SURGICAL LIGHTS

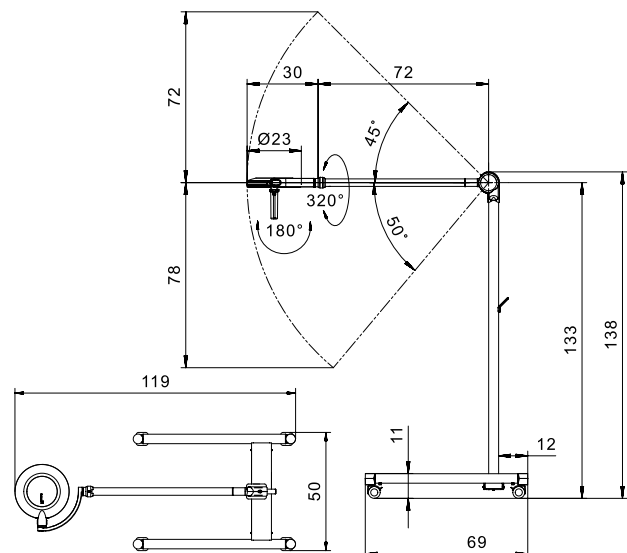


	illuminated area @ 1.0 m fixed value 18 cm	illuminated area @ 1.0 m changeable value 18 / 23 / 25	color temper- ature fixed value 4700 K *	color temper- ature changeable value 3700 / 4300 / 4700 K *	dimmable	Order No.
TRIANGO 60-1 F	x		x		x	D16.262.000-00813744 - CH D16.259.000-00813743 - SCHUKO D16.271.000-00813747 - UK
TRIANGO 60-3 F	x			x	x	D16.263.000-00814319 - CH D16.260.000-00814317 - SCHUKO D16.272.000-00814325 - UK
TRIANGO Fokus 60-1 F		x	x		x	D16.264.000-00814320 - CH D16.261.000-00814318 - SCHUKO D16.273.000-00814326 - UK

LIGHT DISTRIBUTION



TECHNICAL DRAWING



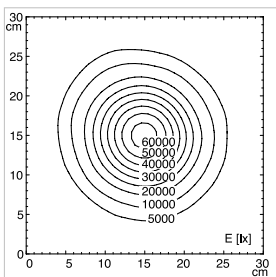
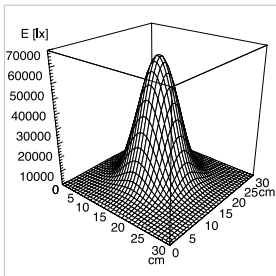
TRIANGO 60 F BATTERY

TECHNICAL DATA	
FITTED WITH	1 × LED module
LUMINOUS POWER	60 000 Lux @ 1.0 m *
COLOR TEMPERATURE	4 700 K *
ILLUMINATED AREA 1.0 m	∅ 18 cm*
DEPTH OF ILLUMINATION	140 cm
COLOR RENDERING INDEX	CRI > 95
OPERATION EQUIPMENT	Electronic converter
CORD LENGTH	3 m
LUMINAIRE BODY	Polyamide (PA)
WEIGHT (NET)	31 kg
POWER CONSUMPTION	< 30 W
RATED CONNECTION VOLTAGE	100 - 240 V
FREQUENCY RANGE	50 / 60 Hz
USAGE	Touch panel on cardanic system
TECHNOLOGY	1-pole secondary
BALANCE OF ARTICULATION JOINTS	Spring (weight compensation)
CLASS OF PROTECTION	I
PROTECTION RATING	According to IEC 60529 IP 20 luminaire head IP 43 (horizontal position)
STANDARDS MET	EN 60601-1, EN 60601-2-41
SPECIAL FEATURES	Continuously dimmable (15-100%) *, handle, BATTERY - UPSmed Pack
MOUNTING	roller stand
ACCESSORIES	Disposable cover for handle, intermediate ceiling adapter
BATTERY LIFE UP TO 70%	1 200 cycles
BATTERY RUNTIME	- 6.5 h
BATTERY TYPE	NP17-12I Industrial VRLA Battery
ORDER NUMBER	D16.279.000-00814482 - CH D16.278.000-00814481 - Schuko D16.282.000-00814485 - UK

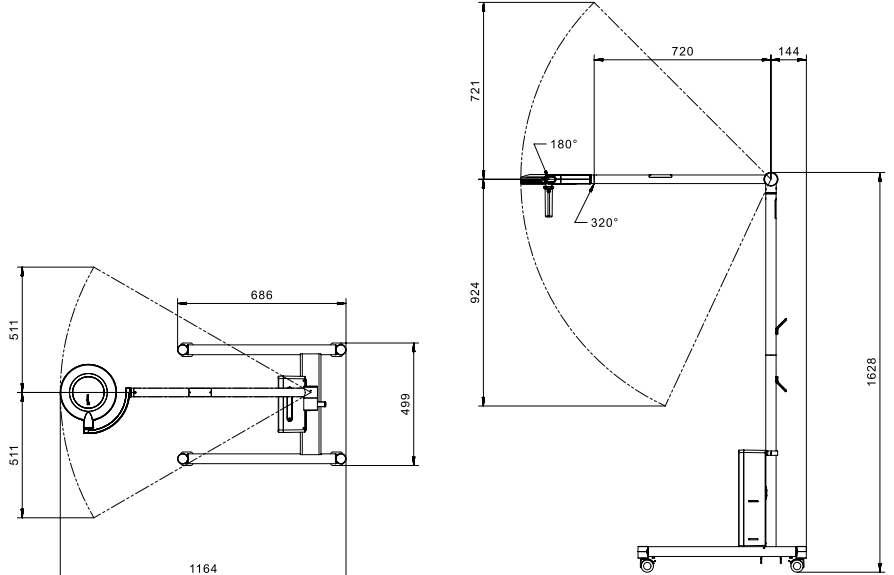
SURGICAL LIGHTS



LIGHT DISTRIBUTION



TECHNICAL DRAWING



VISIANO 20-2 C T1

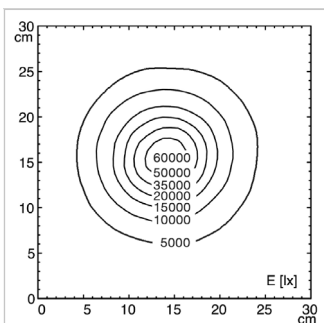
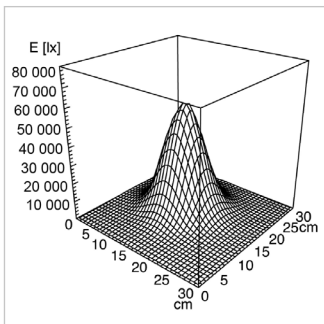
TECHNICAL DATA

FITTED WITH	1 × LED module
LUMINOUS POWER	60 000 lux @ 0.5 m *
ILLUMINATED AREA 0.5 m	Ø 21 cm *
COLOR RENDERING INDEX	CRI > 95
COLOR TEMPERATURE	3 500 K & 4 500 K *
OPERATION EQUIPMENT	Electronic converter
VOLTAGE	100-240 V; 50/60 Hz
CORD LENGTH	Direct power supply
LUMINAIRE BODY	Polycarbonate & Acrylonitrile-butadiene-styrene-copolymer (PC & ABS)
WEIGHT (NET)	9.0 kg
POWER CONSUMPTION	21 W
BALANCE OF ARTICULATION JOINTS	Spring
USAGE	Touch panel on light head
CLASS OF PROTECTION	I
PROTECTION RATING	IP 20
STANDARDS MET	EN 60601-1, EN 60601-2-41
SPECIAL FEATURES	2 color temperatures, 4 dimming levels, rotary joint (360° turnover axis)
MOUNTING	Ceiling mount, ceiling tube can be cut on site (length: 40-116 cm)
ACCESSORIES	Intermediate ceiling adapter
ORDER NUMBER	D15.450.000-00633104 - pure white

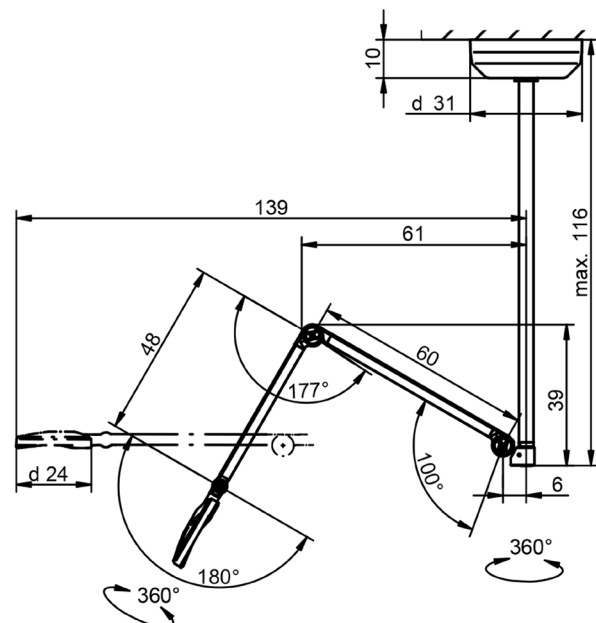
EXAMINATION LIGHTS



LIGHT DISTRIBUTION



TECHNICAL DRAWING



VISIANO 20-2 P TX

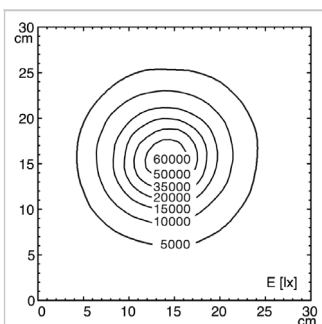
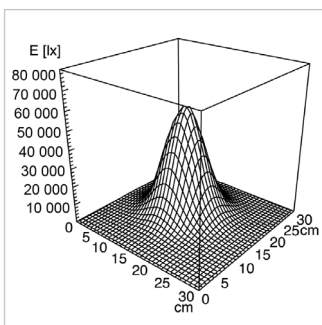
TECHNICAL DATA

FITTED WITH	1 × LED module
LUMINOUS POWER	60 000 lux @ 0.5 m *
ILLUMINATED AREA 0.5 m	Ø 21 cm *
COLOR RENDERING INDEX	CRI > 95
COLOR TEMPERATURE	3 500 K & 4 500 K *
OPERATION EQUIPMENT	Electronic converter
VOLTAGE	100-240 V; 50/60 Hz
CORD LENGTH	1.8 m
LUMINAIRE BODY	Polycarbonate & Acrylonitrile-butadiene-styrene-copolymer(PC & ABS)
WEIGHT (NET)	2.0 kg
POWER CONSUMPTION	21 W
USAGE	Touch panel on light head
BALANCE OF ARTICULATION JOINTS	Spring
CLASS OF PROTECTION	II
PROTECTION RATING	IP 20
STANDARDS MET	EN 60601-1, EN 60601-2-41
SPECIAL FEATURES	2 color temperatures, 4 dimming levels, rotary joint (360° turn-over axis)
MOUNTING	Mounting pin (Ø 16 mm)
ACCESSORIES	Rolling floor stand, rail mount with removal guard, table clamp with removal guard, universal mount with removal guard, wall mount with removal guard
ORDER NUMBER	D15.451.000-00633107 - pure white - Euro D15.456.000-00678230 - pure white - UK

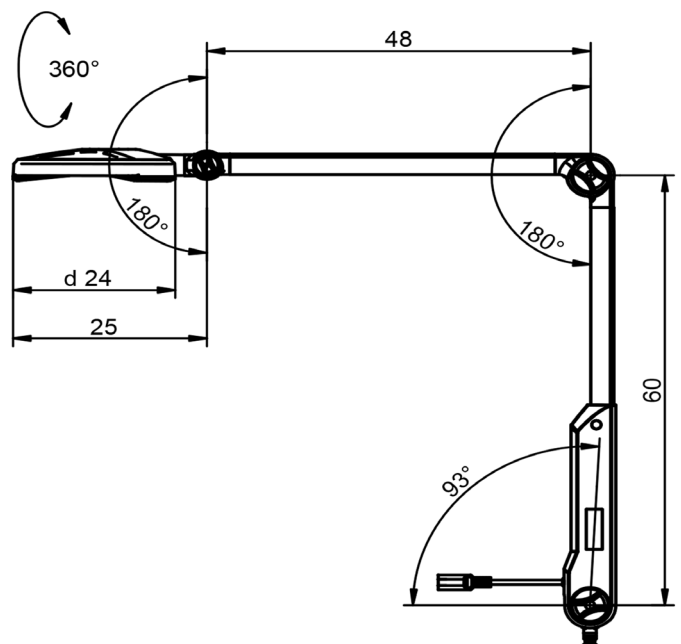
EXAMINATION LIGHTS



LIGHT DISTRIBUTION



TECHNICAL DRAWING



VISIANO 10-1 P S10

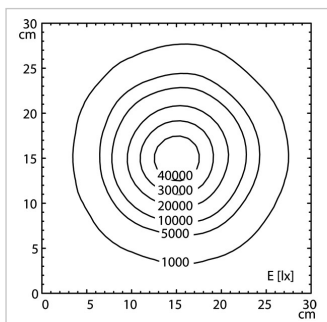
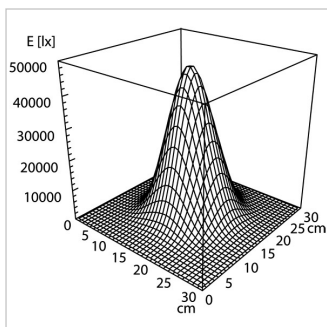
TECHNICAL DATA

FITTED WITH	1 × LED module
LUMINOUS POWER	50 000 lux @ 0.5 m *
ILLUMINATED AREA 0.5 m	Ø 18 cm *
COLOR RENDERING INDEX	CRI > 96
COLOR TEMPERATURE	4 400 K *
OPERATION EQUIPMENT	Electronic converter
VOLTAGE	100-240 V; 50/60 Hz
CORD LENGTH	1.8 m
LUMINAIRE BODY	polybutylene terephthalate + polycarbonate PBT + PC
WEIGHT (NET)	1.1 kg
POWER CONSUMPTION	13 W
USAGE	Rocker switch (I/O) on arm
BALANCE OF ARTICULATION JOINTS	Friction
CLASS OF PROTECTION	II
PROTECTION RATING	IP 20
STANDARDS MET	EN 60601-1, EN 60601-2-41
SPECIAL FEATURES	with handle
MOUNTING	Mounting pin (Ø 16 mm)
ACCESSORIES	Rolling floor stand, rail mount with removal guard, table clamp with removal guard, universal mount with removal guard, extension arm with removal guard, wall mount with removal guard
ORDER NUMBER	D15.732.000-00689628 - pure white - Euro D15.756.000-00712490 - pure white - UK

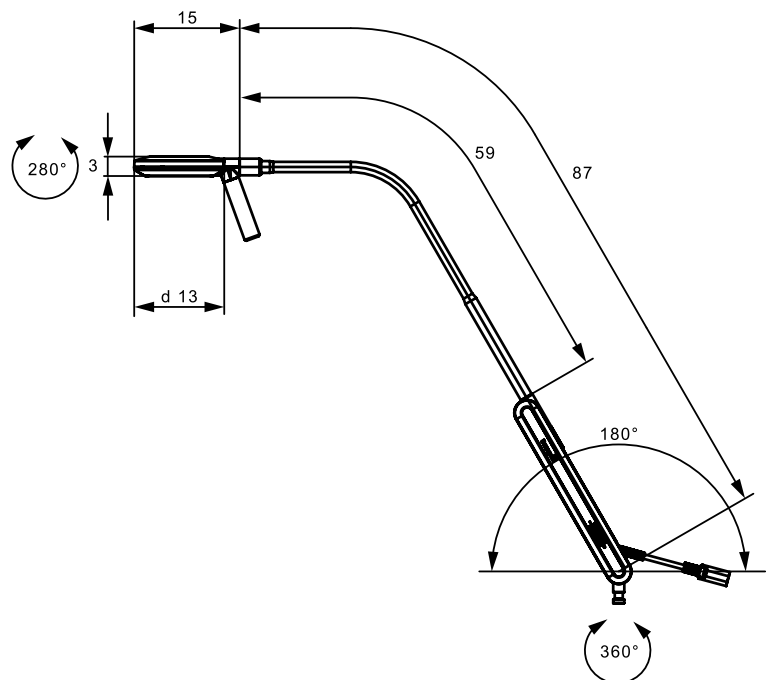
EXAMINATION LIGHTS



LIGHT DISTRIBUTION



TECHNICAL DRAWING



HALUX N50-3 P FX

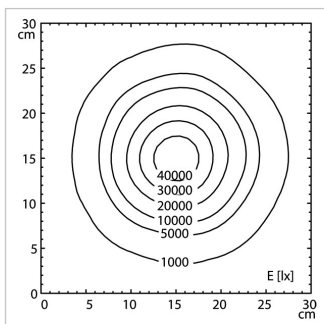
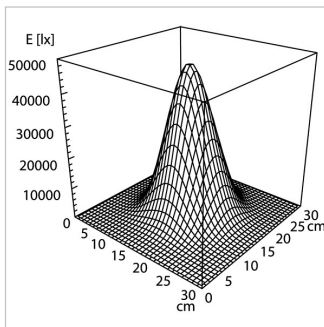
TECHNICAL DATA

FITTED WITH	1 × LED module
LUMINOUS POWER	50 000 lux @ 0.5 m *
ILLUMINATED AREA 0.5 m	Ø 18 cm *
COLOR RENDERING INDEX	CRI > 98
COLOR TEMPERATURE	3 300 K / 3 800 K / 4 400 K *
OPERATION EQUIPMENT	Electronic converter
VOLTAGE	100-240 V; 50/60 Hz
CORD LENGTH	1.8 m (10 ft.)
LUMINAIRE BODY	Polycarbonate (PC) & acrylonitrile butadiene styrene copolymer (ABS)
WEIGHT (NET)	1.3 kg (2.9 lbs.)
POWER CONSUMPTION	18 W
USAGE	Touch panel on light head
BALANCE OF ARTICULATION JOINTS	Spring (weight compensation)
CLASS OF PROTECTION	II
PROTECTION RATING	IP 20
STANDARDS MET	EN 60601-1, EN 60601-2-41
SPECIAL FEATURES	3 color temperatures, 5 dimming levels
MOUNTING	Mounting pin (Ø 16 mm)
ACCESSORIES	Rolling floor stand, rail mounting with removal guard, table clamp with removal guard, universal mount with removal guard, extension arm with removal guard, wall mount with removal guard
ORDER NUMBER	D16.013.000-00806682 - pure white -Euro D16.038.000-00806686 - pure white - UK

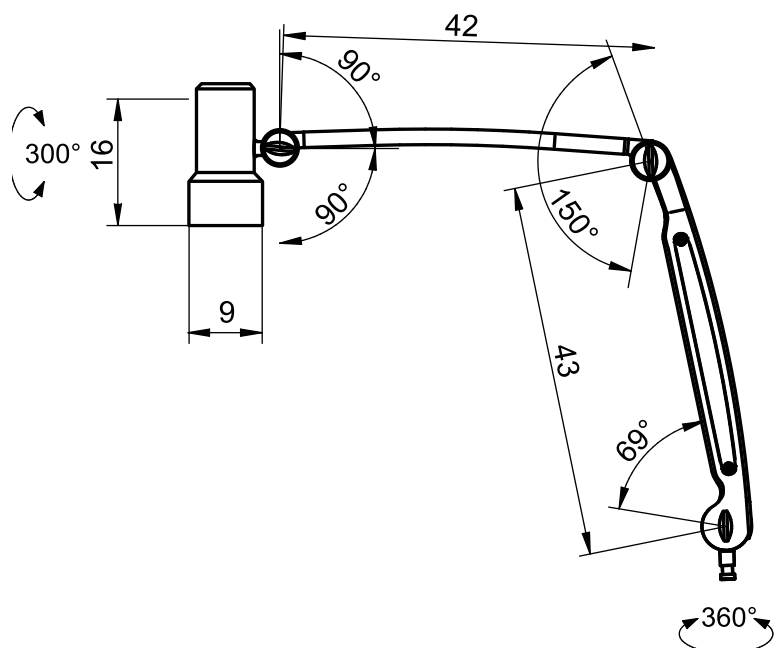
EXAMINATION LIGHTS



LIGHT DISTRIBUTION



TECHNICAL DRAWING



HALUX N50-1 P FX

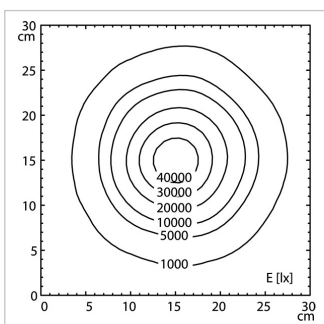
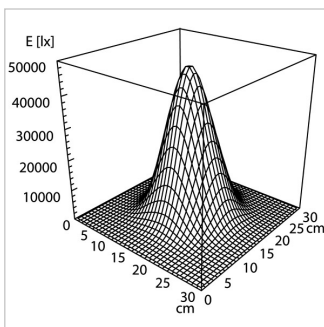
TECHNICAL DATA

FITTED WITH	1 × LED module
LUMINOUS POWER	50 000 lux @ 0.5 m *
ILLUMINATED AREA 0.5 m	Ø 18 cm (7.1 in.) *
COLOR RENDERING INDEX	CRI > 98
COLOR TEMPERATURE	4 400 K *
OPERATION EQUIPMENT	Electronic converter
VOLTAGE	100-240 V; 50/60 Hz
CORD LENGTH	1.8 m (10 ft.)
LUMINAIRE BODY	Polycarbonate (PC) & acrylonitrile butadiene styrene copolymer (ABS)
WEIGHT (NET)	1.3 kg (2.9 lbs.)
POWER CONSUMPTION	13 W
USAGE	Rocker switch (I/O) on arm
BALANCE OF ARTICULATION JOINTS	Spring (weight compensation)
CLASS OF PROTECTION	II
PROTECTION RATING	IP 20
STANDARDS MET	EN 60601-1, EN 60601-2-41
SPECIAL FEATURES	Switchable
MOUNTING	Mounting pin (Ø 16 mm)
ACCESSORIES	Rolling floor stand, rail mounting with removal guard, table clamp with removal guard, universal mount with removal guard, extension arm with removal guard, wall mount with removal guard
ORDER NUMBER	D16.012.000-00806681 - pure white - Euro D16.037.000-00806685 - pure white - UK

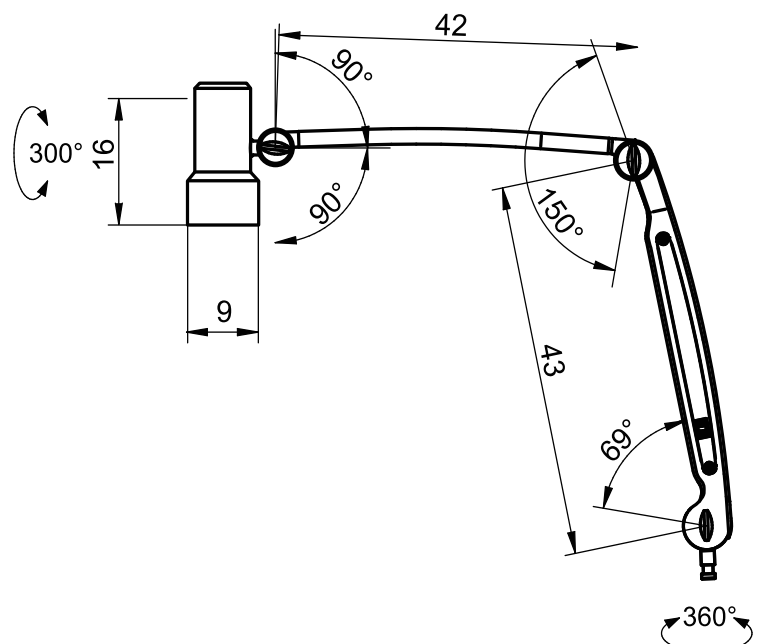
EXAMINATION LIGHTS



LIGHT DISTRIBUTION



TECHNICAL DRAWING



HALUX N50-3 P SX

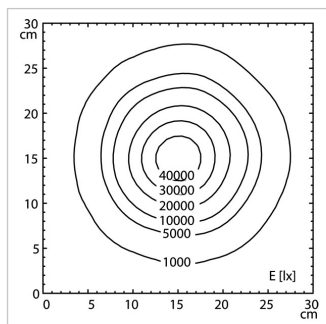
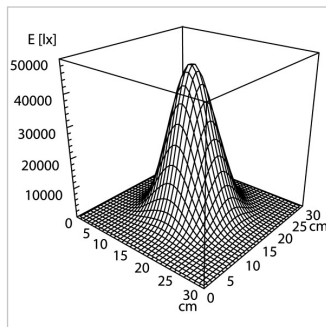
TECHNICAL DATA	
FITTED WITH	1 × LED module
LUMINOUS POWER	50 000 lux @ 0.5 m *
ILLUMINATED AREA 0.5 m	Ø 18 cm (7.1 in.)
COLOR RENDERING INDEX	CRI > 98
COLOR TEMPERATURE	3 300 K / 3 800 K / 4 400 K *
OPERATION EQUIPMENT	Electronic converter
VOLTAGE	100-240 V; 50/60 Hz
CORD LENGTH	1.8 m (10 ft.)
LUMINAIRE BODY	Polycarbonate (PC) & acrylonitrile butadiene styrene copolymer (ABS)
WEIGHT (NET)	1.3 kg (2.9 lbs.)
POWER CONSUMPTION	18 W
USAGE	Touch panel on light head
BALANCE OF ARTICULATION JOINTS	Friction
CLASS OF PROTECTION	II
PROTECTION RATING	IP 20
STANDARDS MET	EN 60601-1, EN 60601-2-41
SPECIAL FEATURES	3 color temperatures, 5 dimming levels
MOUNTING	Mounting pin (Ø 16 mm)
ACCESSORIES	Rolling floor stand, rail mounting with removal guard, table clamp with removal guard, universal mount with removal guard, extension arm with removal guard, wall mount with removal guard

EXAMINATION LIGHTS

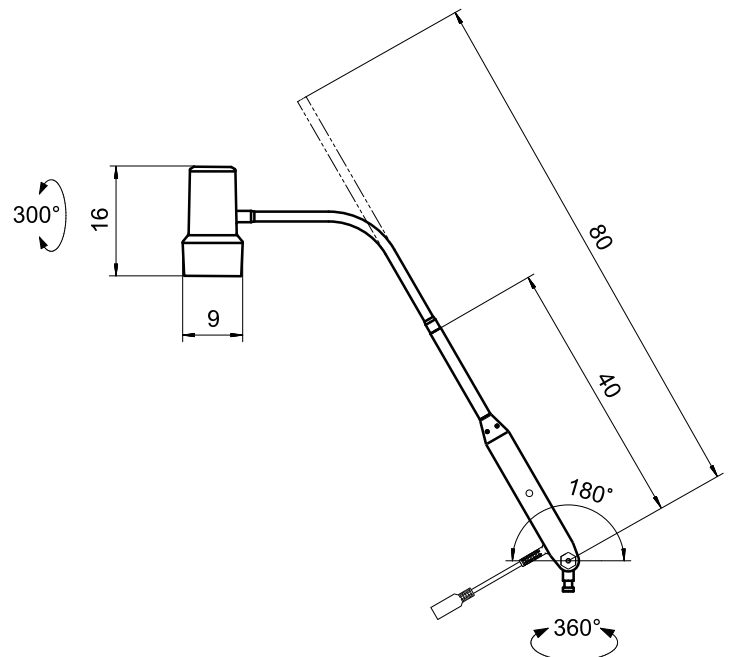


	General examination (combinable with accessories)	Connection to gynaecology chair (incl. rail clamp with brake function)	Order No.
HALUX N50-3 P SX	X		D16.011.000-00806680 - pure white - Euro D16.036.000-00806684 - pure white - UK
HALUX N50-3 P SX Gyn.		X	D16.157.000-00809568 - pure white - Euro

LIGHT DISTRIBUTION



TECHNICAL DRAWING



HALUX N50-1 P SX

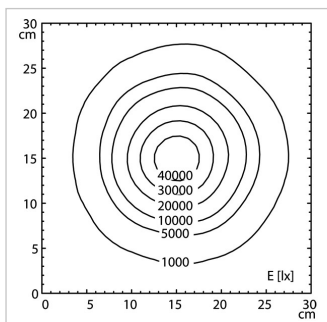
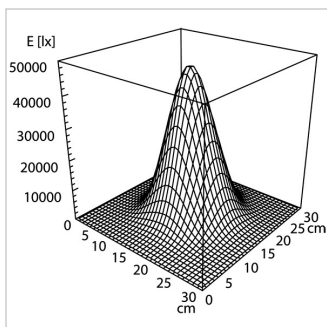
TECHNICAL DATA

FITTED WITH	1 × LED module
LUMINOUS POWER	50 000 lux @ 0.5 m *
ILLUMINATED AREA 0.5 m	Ø 18 cm *
COLOR RENDERING INDEX	CRI > 98
COLOR TEMPERATURE	4 400 K *
OPERATION EQUIPMENT	Electronic converter
VOLTAGE	100-240 V; 50/60 Hz
CORD LENGTH	1.8 m (10 ft.)
LUMINAIRE BODY	Polycarbonate (PC) & acrylonitrile butadiene styrene copolymer (ABS)
WEIGHT (NET)	1.3 kg (2.9 lbs.)
POWER CONSUMPTION	13 W
USAGE	Rocker switch (I/O) on arm
BALANCE OF ARTICULATION JOINTS	Friction
CLASS OF PROTECTION	II
PROTECTION RATING	IP 20
STANDARDS MET	EN 60601-1, EN 60601-2-41
SPECIAL FEATURES	Switchable
MOUNTING	Mounting pin (Ø 16 mm)
ACCESSORIES	Rolling floor stand, rail mount with removal guard, table clamp with removal guard, universal mount with removal guard, extension arm with removal guard, wall mount with removal guard
ORDER NUMBER	D16.010.000-00806679 - pure white - Euro D16.035.000-00806683 - pure white - UK

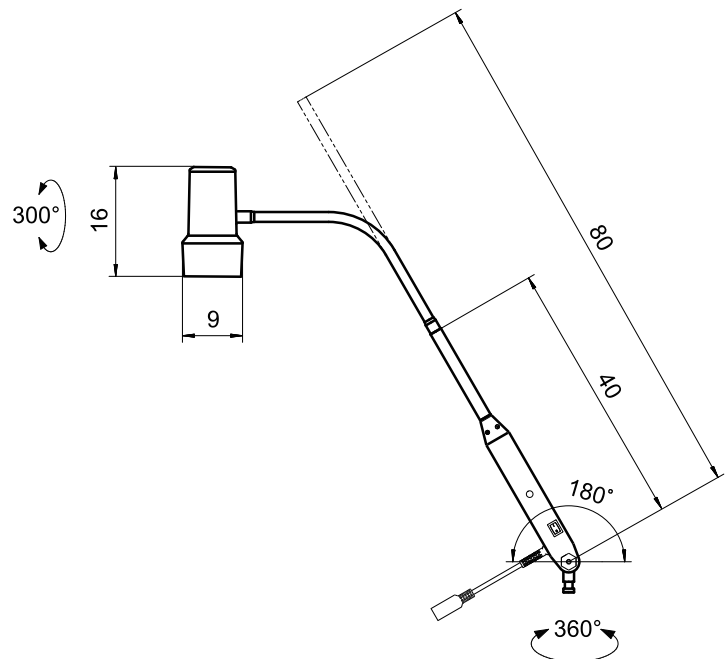
EXAMINATION LIGHTS



LIGHT DISTRIBUTION



TECHNICAL DRAWING



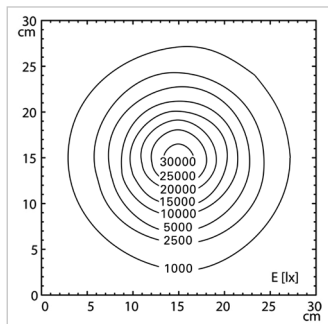
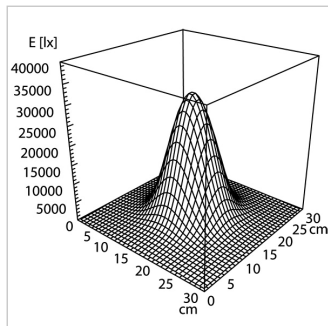
HALUX N30-1 P F1

TECHNICAL DATA	
FITTED WITH	1 × LED module
LUMINOUS POWER	30 000 lux @ 0.5 m *
ILLUMINATED AREA 0.5 m	Ø 18 cm *
COLOR RENDERING INDEX	CRI > 94
COLOR TEMPERATURE	4 400 K *
OPERATION EQUIPMENT	Plug-in power supply
VOLTAGE	100-240 V; 50/60 Hz
CORD LENGTH	1.7 m (5.6 ft.)
LUMINAIRE BODY	Polycarbonate (PC) & acrylonitrile butadiene styrene copolymer (ABS)
WEIGHT (NET)	1.1 kg (2.4 lbs)
POWER CONSUMPTION	8 W
USAGE	Push button on light head
BALANCE OF ARTICULATION JOINTS	Friction
CLASS OF PROTECTION	II
PROTECTION RATING	IP 20
STANDARDS MET	EN 60601-1, EN 60601-2-41
SPECIAL FEATURES	Continuously dimmable, spring arm
MOUNTING	Mounting pin (Ø 16 mm)
ACCESSORIES	Rolling floor stand, rail mount with removal guard, table clamp with removal guard, universal mount with removal guard, extension arm with removal guard, wall mount with removal guard
ORDER NUMBER	D15.994.000-00806677 - pure white - EU, UK, US, AUS

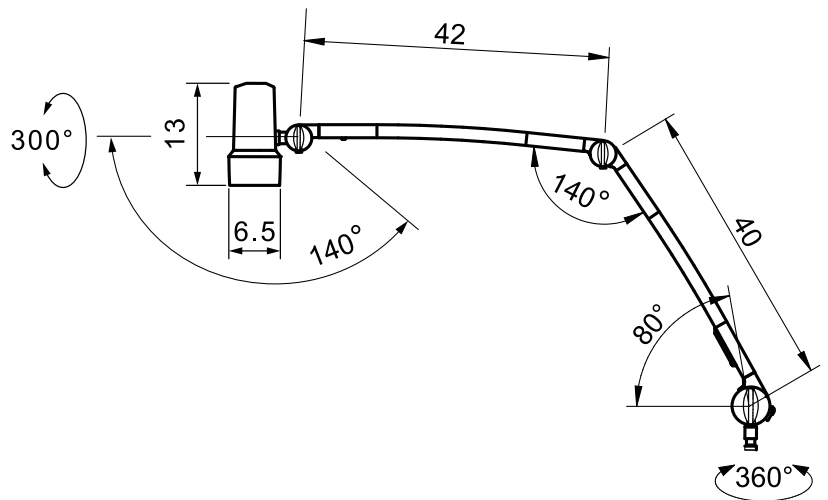
EXAMINATION LIGHTS



LIGHT DISTRIBUTION



TECHNICAL DRAWING



HALUX N30-1 P SGV Gyn

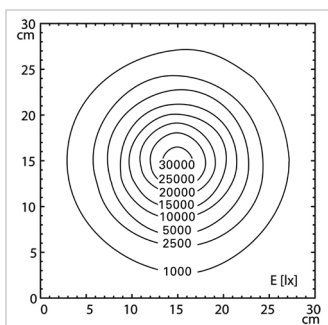
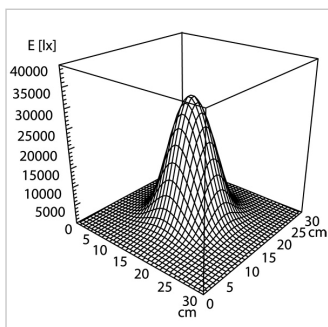
TECHNICAL DATA

FITTED WITH	1 × LED module
LUMINOUS POWER	30 000 lux @ 0.5 m *
ILLUMINATED AREA 0.5 m	Ø 18 cm *
COLOR RENDERING INDEX	CRI > 94
COLOR TEMPERATURE	4 400 K *
OPERATION EQUIPMENT	Plug-in power supply
VOLTAGE	100-240 V; 50/60 Hz
CORD LENGTH	3.0 m (9.8 ft.)
LUMINAIRE BODY	Polycarbonate (PC) & acrylonitrile butadiene styrene copolymer (ABS)
WEIGHT (NET)	1.3 kg
POWER CONSUMPTION	8 W
USAGE	Push button on light head
BALANCE OF ARTICULATION JOINTS	Friction
CLASS OF PROTECTION	II
PROTECTION RATING	IP 20
STANDARDS MET	EN 60601-1, EN 60601-2-41
SPECIAL FEATURES	dimmable, joint at the foot, rail fastening with removal protection and brake function
MOUNTING	Mounting pin (Ø 16 mm)
ORDER NUMBER	D16.156.000-00809567 - pure white - EU, UK, US, AUS

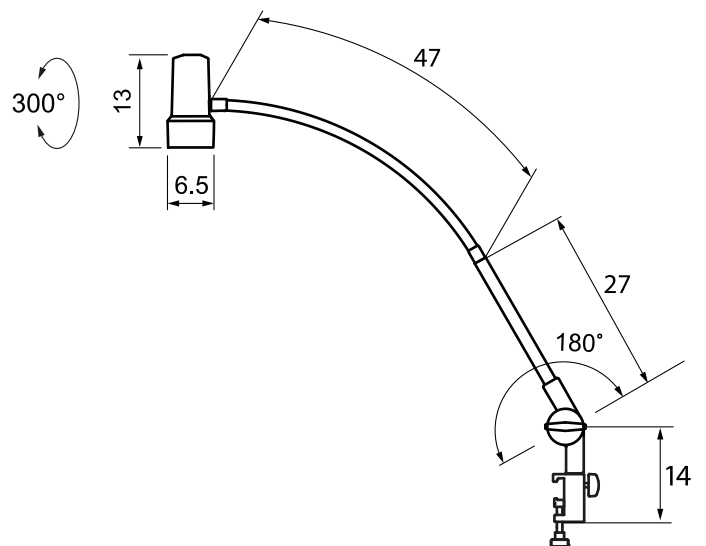
EXAMINATION LIGHTS



LIGHT DISTRIBUTION



TECHNICAL DRAWING



HALUX N30-1 P SG

TECHNICAL DATA

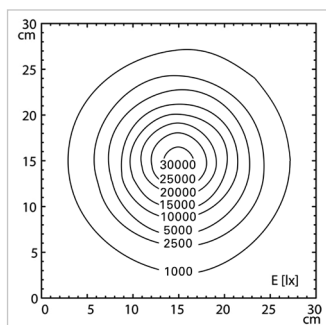
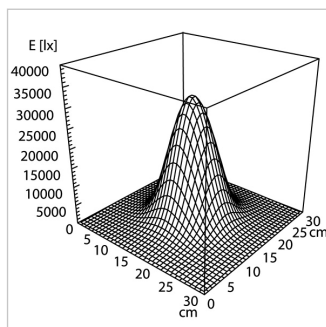
FITTED WITH	1 × LED module
LUMINOUS POWER	30 000 lux @ 0.5 m *
ILLUMINATED AREA 0.5 m	Ø 18 cm *
COLOR RENDERING INDEX	CRI > 94
COLOR TEMPERATURE	4 400 K *
OPERATION EQUIPMENT	Plug-in power supply
VOLTAGE	100-240 V; 50/60 Hz
CORD LENGTH	1.7 m (5.6 ft.)
LUMINAIRE BODY	Polycarbonate (PC) & acrylonitrile butadiene styrene copolymer (ABS)
WEIGHT (NET)	1.6 kg (3.5 lbs.)
POWER CONSUMPTION	8 W
USAGE	Push button on light head
BALANCE OF ARTICULATION JOINTS	Friction
CLASS OF PROTECTION	II
PROTECTION RATING	IP 20
STANDARDS MET	EN 60601-1, EN 60601-2-41
SPECIAL FEATURES	Continuously dimmable, joint at the foot
MOUNTING	Mounting pin (Ø 16 mm)
ACCESSORIES	Rolling floor stand, rail mounting with removal guard, table clamp with removal guard, universal mount with removal guard, extension arm with removal guard, wall mount with removal guard

EXAMINATION LIGHTS

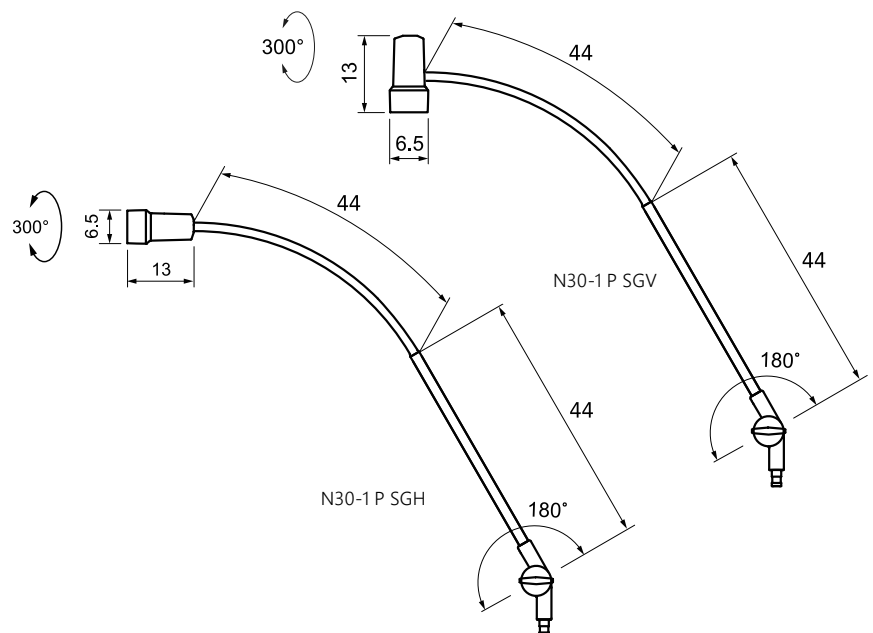


	connection horizontal	connection vertical	dimmable	Order No.
HALUX N30-1 P SGV		x	x	D15.992.000-00806675 - pure white - EU, UK, US, AUS
HALUX N30-1 P SGH	x		x	D15.993.000-00806676 - pure white - EU, UK, US, AUS

LIGHT DISTRIBUTION



TECHNICAL DRAWING



HALUX N30-1 P S

TECHNICAL DATA

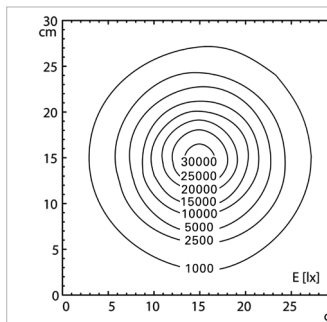
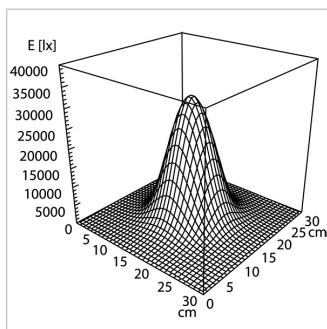
FITTED WITH	1 × LED module
LUMINOUS POWER	30 000 lux @ 0.5 m *
ILLUMINATED AREA 0.5 m	Ø 18 cm *
COLOR RENDERING INDEX	CRI > 94
COLOR TEMPERATURE	4 400 K *
OPERATION EQUIPMENT	Plug-in power supply
VOLTAGE	100-240 V; 50/60 Hz
CORD LENGTH	1.7 m (5.6 ft.)
LUMINAIRE BODY	Polycarbonate (PC) & acrylonitrile butadiene styrene copolymer (ABS)
WEIGHT (NET)	1.3 kg (2.9 lbs)
POWER CONSUMPTION	8 W
USAGE	Push button on light head
CLASS OF PROTECTION	II
PROTECTION RATING	IP 20
STANDARDS MET	EN 60601-1, EN 60601-2-41
SPECIAL FEATURES	Continuously dimmable
MOUNTING	Mounting pin (Ø 16 mm)
ACCESSORIES	Rolling floor stand, rail mount with removal guard, table clamp with removal guard, universal mount with removal guard, extension arm with removal guard, wall mount with removal guard

EXAMINATION LIGHTS

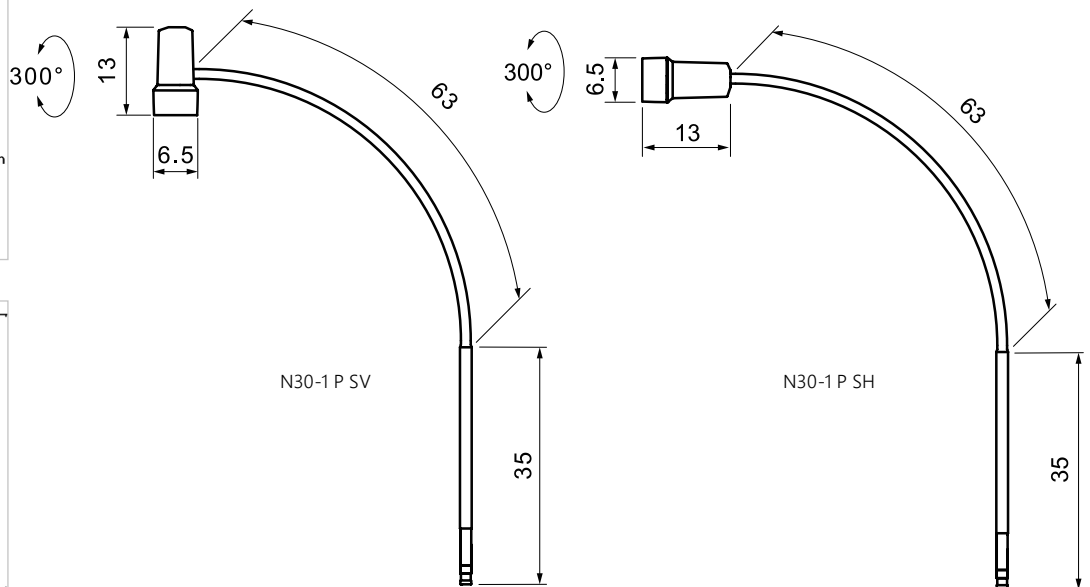


	connection horizontal	connection vertical	dimmable	Order No.
HALUX N30-1 P SV		x	x	D15.990.000-00806673 - pure white - EU, UK, US, AUS
HALUX N30-1 P SH	x		x	D15.991.000-00806674 - pure white- EU, UK, US, AUS

LIGHT DISTRIBUTION



TECHNICAL DRAWING



HALUX N30-1 F

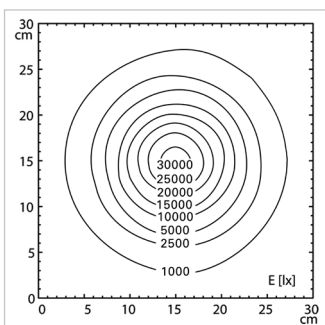
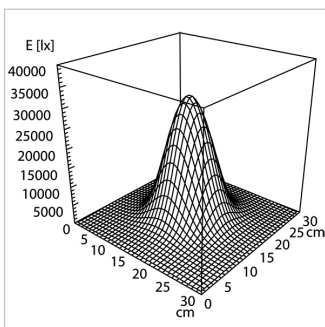
TECHNICAL DATA

FITTED WITH	1 × LED module
LUMINOUS POWER	30 000 Lux @ 0.5 m *
ILLUMINATED AREA 0.5 m	ø 18 cm *
COLOR RENDERING INDEX	CRI > 94
COLOR TEMPERATURE	4 400 K *
OPERATION EQUIPMENT	Plug-in power supply
VOLTAGE	100-240 V; 50/60 Hz
CORD LENGTH	2 m
LUMINAIRE BODY	Polycarbonate (PC) & acrylonitrile butadiene styrene copolymer (ABS)
WEIGHT (NET)	4.4 kg
POWER CONSUMPTION	8 W
USAGE	Push button on light head
CLASS OF PROTECTION	II
PROTECTION RATING	IP 20
STANDARDS MET	EN 60601-1, EN 60601-2-41
SPECIAL FEATURES	Continuously dimmable
MOUNTING	Roller stand
ORDER NUMBER	D16.064.000-00808869

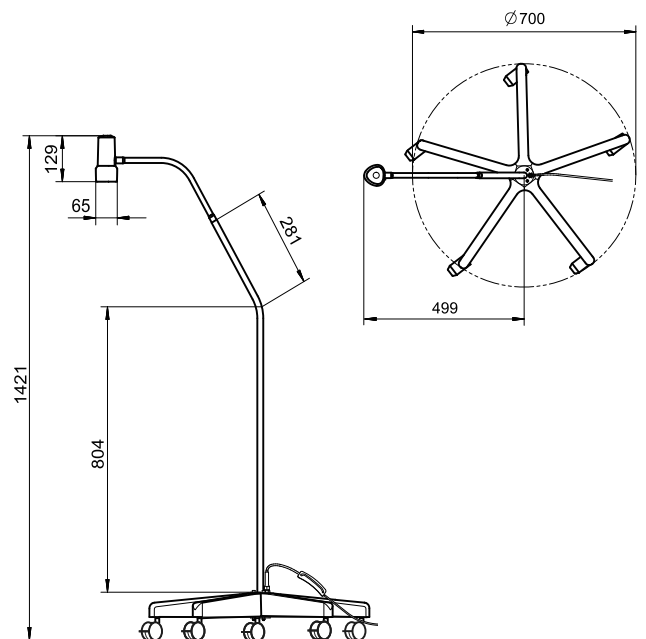
EXAMINATION LIGHTS



LIGHT DISTRIBUTION



TECHNICAL DRAWING

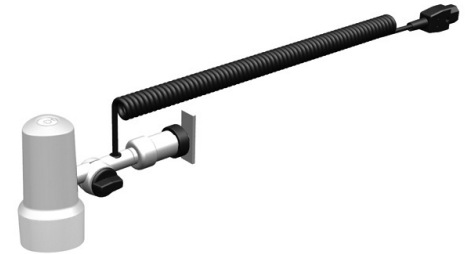


HALUX N30-1 Ambulance

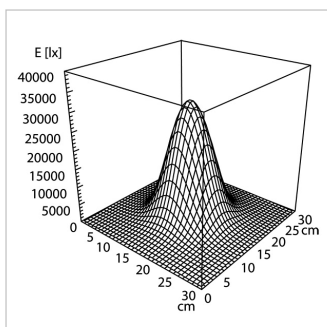
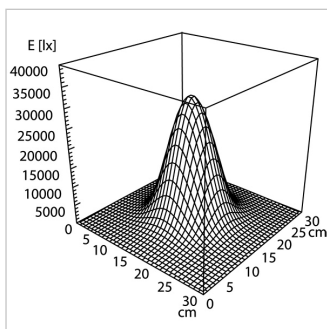
TECHNICAL DATA

FITTED WITH	1 × LED module
LUMINOUS POWER	30 000 Lux @ 0.5 m *
ILLUMINATED AREA 0.5 m	ø 18 cm *
COLOR RENDERING INDEX	CRI > 94
COLOR TEMPERATURE	4 400 K *
OPERATION EQUIPMENT	without
VOLTAGE	12 - 24 V DC
CORD LENGTH	1.2 m
LUMINAIRE BODY	Polycarbonate (PC) & acrylonitrile butadiene styrene copolymer (ABS)
WEIGHT (NET)	0.8 kg
POWER CONSUMPTION	8 W
USAGE	Push button on light head
CLASS OF PROTECTION	II
PROTECTION RATING	IP 20
STANDARDS MET	EN 60601-1, EN 60601-2-41
SPECIAL FEATURES	Continuously dimmable
MOUNTING	Adapter C-rail
ORDER NUMBER	D16143000-00809959

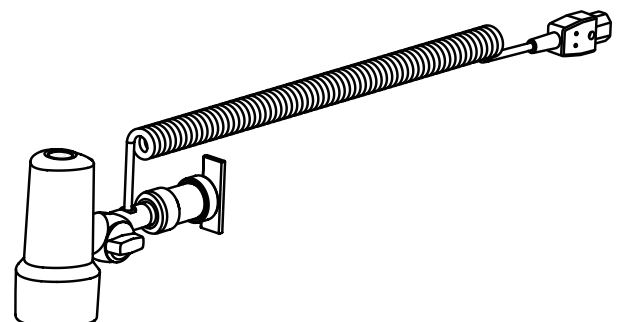
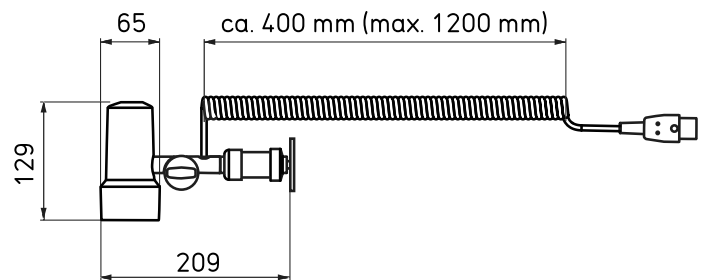
EXAMINATION LIGHTS



LIGHT DISTRIBUTION



TECHNICAL DRAWING



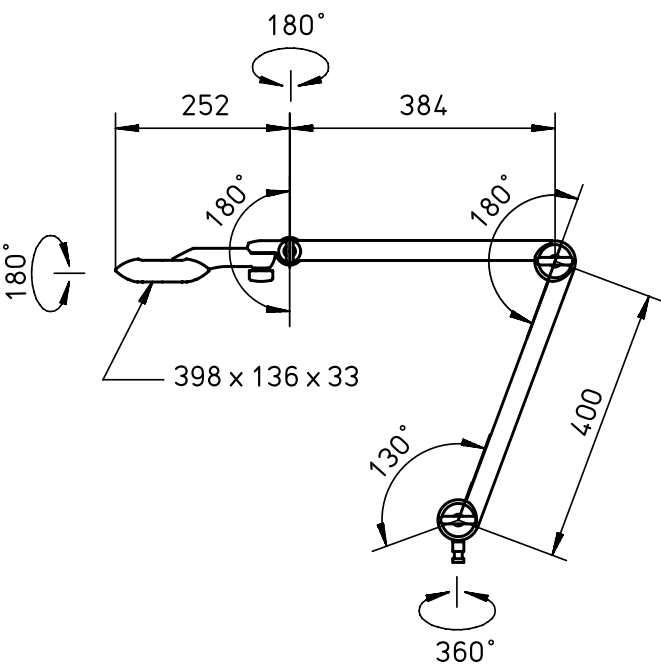
TECHNICAL DATA	
FITTED WITH	LED - Energy efficiency class A+
OPERATION EQUIPMENT	Electronic transformer
VOLTAGE	100-240 V; 50/60 Hz
CORD LENGTH	approx. 3.7 m, Power Plug CEE 7/XVI
LUMINAIRE BODY	Aluminum profile
USAGE	Multi-function switch
BALANCE OF ARTICULATION JOINTS	Spring
CLASS OF PROTECTION	II
PROTECTION RATING	IP 20
SPECIAL FEATURES	Excellent colour rendition properties
MOUNTING	Mounting pin (Ø 16 mm) incl. mounting flange (base)
ACCESSORIES	Clip-on magnifier, Rail mount with removal guard, table clamp with removal guard, universal mount with removal guard, extension arm with removal guard, wall mount with removal guard

TASK LIGHTS FOR DENTAL LABORATORIES

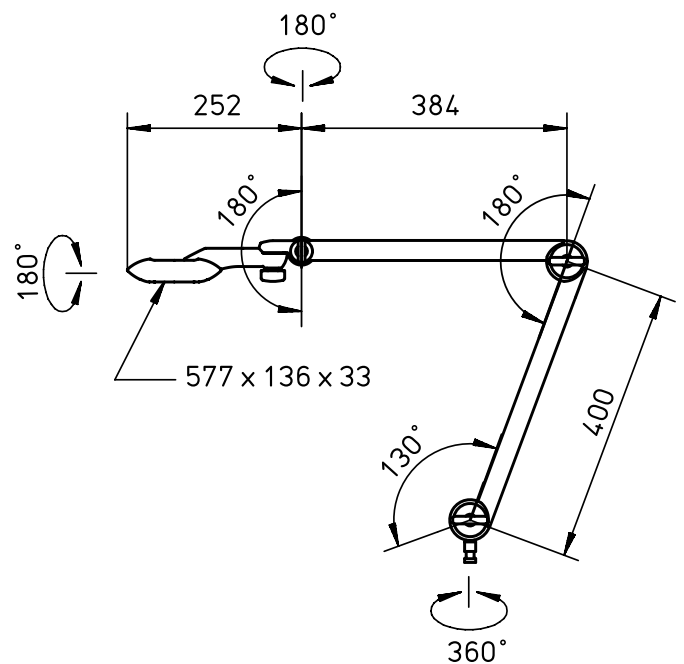


	Luminous power	Color temperature	Color rendering index	Weight	Power consumption	Width luminaire head	Order No.
TANEO Lab 23-5000	1400 lm	5000 K*	Ra > 90; R9 > 50	approx. 1.9 kg	23 Watt	398 mm	00813786
TANEO Lab 30-5000	2000 lm	5000 K*	Ra > 90; R9 > 50	approx. 2.3 kg	30 Watt	577 mm	00813785
TANEO Lab 30-tuneable white	2000 lm	3000 K - 6500 K*	Ra > 90; R9 > 50	approx. 2.3 kg	31 Watt	577 mm	00813787
TANEO Lab 38-D50	1800 lm	5000 K*	Ra > 95; R9 > 85	approx. 2.3 kg	38 Watt	577 mm	00813788

LIGHT DISTRIBUTION | TANEO Lab 23



TECHNICAL DRAWING | TANEO Lab 30 | 38-D50



OPTICLUX 10-2 C T1 (Wood's light)

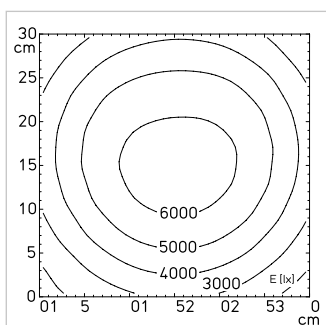
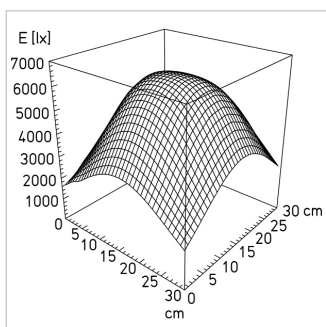
TECHNICAL DATA

FITTED WITH	1×LED module
LUMINOUS POWER	6000 lux @ 0.15 m *
COLOR RENDERING INDEX	CRI > 95
COLOR TEMPERATURE	6500 K * & 365 nm (Wood's light)
LENS DIMENSIONS	Ø 160 mm
LENS DIOPTERS	3.5 (approx. enlargement up to 1.9x)
LENS MATERIAL	PMMA
OPERATION EQUIPMENT	Electronic transformer
VOLTAGE	100-240 V; 50/60 Hz
CORD LENGTH	Direct power supply
LUMINAIRE BODY	Polyamid (PA)
WEIGHT (NET)	ca. 9.1 kg
POWER CONSUMPTION	12 W
USAGE	Touch panel on light head
CLASS OF PROTECTION	I
PROTECTION RATING	IP 20
STANDARDS MET	EN 60601-1
SPECIAL FEATURES	Scratch-resistant plastic lens, continuously dimmable, switchable to Wood's light, rotary joint (360° turnover axis)
MOUNTING	Ceiling mount, ceiling tube can be cut on site (length: 40-116 cm)
ACCESSORIES	Intermediate ceiling adapter
ORDER NUMBER	D15.816.000-00752633 - pure white

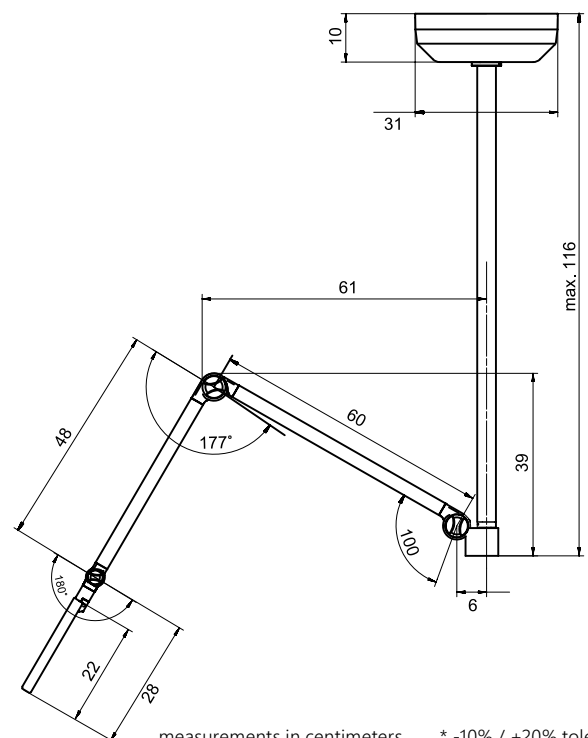
MAGNIFIER LUMINAIRE



LIGHT DISTRIBUTION



TECHNICAL DRAWING



OPTICLUX 10-1 C T1

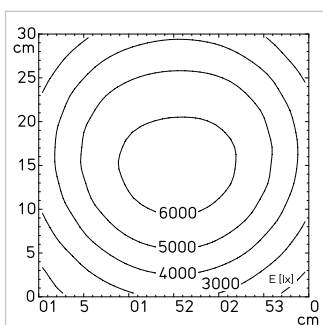
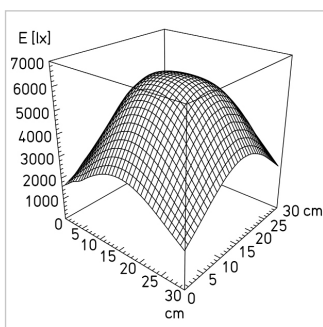
TECHNICAL DATA

FITTED WITH	1×LED module
LUMINOUS POWER	6 000 lux @ 0.15 m *
COLOR RENDERING INDEX	CRI > 95
COLOR TEMPERATURE	6 500 K *
LENS DIMENSIONS	Ø 160 mm
MAGNIFICATION	3.5 (approx. enlargement up to 1.9x)
LENS MATERIAL	PMMA
OPERATION EQUIPMENT	Electronic transformer
VOLTAGE	100-240 V; 50/60 Hz
CORD LENGTH	Direct power supply
LUMINAIRE BODY	Polyamid (PA)
WEIGHT (NET)	ca. 9.1 kg
POWER CONSUMPTION	12 W
USAGE	Touch panel on light head
CLASS OF PROTECTION	I
PROTECTION RATING	IP 20
STANDARDS MET	EN 60601-1
SPECIAL FEATURES	Scratch-resistant plastic lens, continuously dimmable, rotary joint (360° turnover axis)
MOUNTING	Ceiling mount, ceiling tube can be cut on site (length: 40-116 cm)
ACCESSORIES	Intermediate ceiling adapter
ORDER NUMBER	D15.817.000-00752639 - pure white

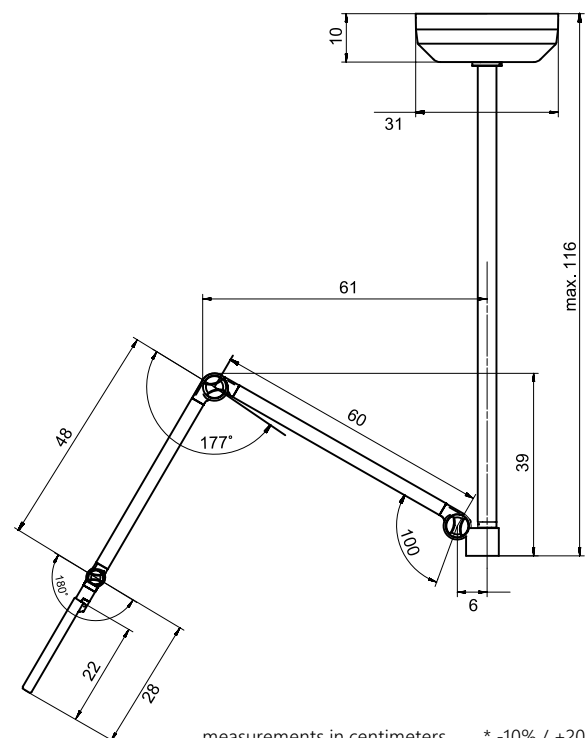
MAGNIFIER LUMINAIRE



LIGHT DISTRIBUTION



TECHNICAL DRAWING



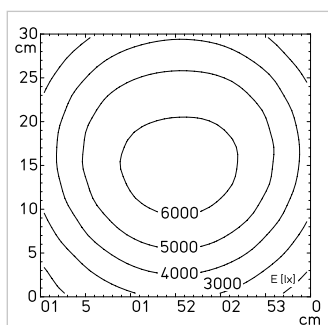
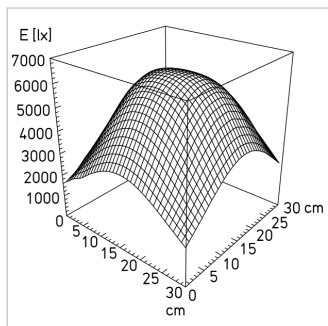
OPTICLUX 10-2 P TX (Wood's light)

TECHNICAL DATA	
FITTED WITH	1×LED module
LUMINOUS POWER	6000 lux @ 0.15 m *
COLOR RENDERING INDEX	CRI > 95, R9 > 91
COLOR TEMPERATURE	6500 K * & 365 nm (Wood's light)
LENS DIMENSIONS	Ø 160 mm
MAGNIFICATION	3.5 (approx. enlargement up to 1.9x)
LENS MATERIAL	PMMA
OPERATION EQUIPMENT	Electronic transformer
VOLTAGE	100-240 V; 50/60 Hz
CORD LENGTH	1.8 m
LUMINAIRE BODY	Polyamid (PA)
WEIGHT (NET)	2.0 kg
POWER CONSUMPTION	12 W
USAGE	Touch panel on light head
CLASS OF PROTECTION	I
PROTECTION RATING	IP 20
STANDARDS MET	EN 60601-1
SPECIAL FEATURES	Scratch-resistant plastic lens, continuously dimmable, switchable to Wood's light, rotary joint (360° turnover axis)
MOUNTING	Mounting pin (Ø 16 mm)
ACCESSORIES	Rolling floor stand, rail mount with removal guard, table clamp with removal guard, universal mount with removal guard, wall mount with removal guard
ORDER NUMBER	D15.814.000-00752615 - pure white - Euro D15.851.000-00752645 - pure white - UK

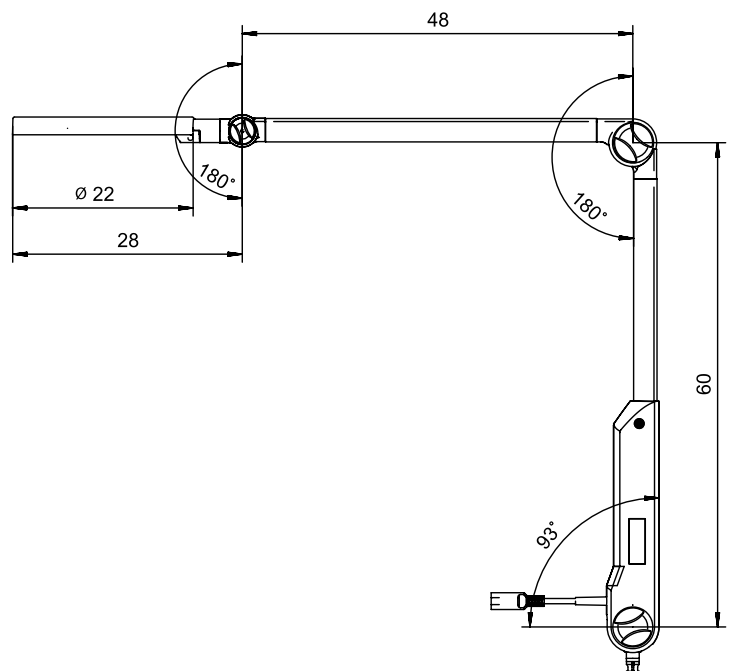
MAGNIFIER LUMINAIRE



LIGHT DISTRIBUTION



TECHNICAL DRAWING



OPTICLUX 10-1 P TX

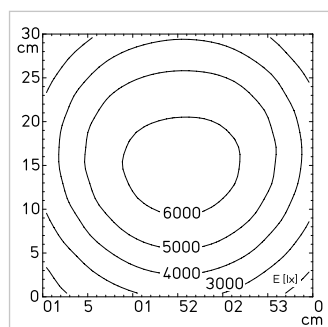
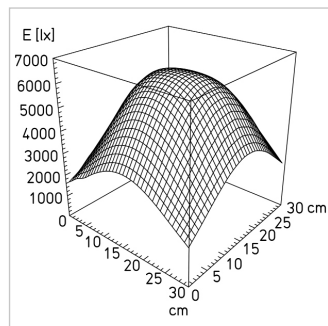
TECHNICAL DATA	
FITTED WITH	1×LED module
LUMINOUS POWER	6000 lux @ 0.15 m *
COLOR RENDERING INDEX	CRI > 95, R9 > 91
COLOR TEMPERATURE	6500 K *
LENS DIMENSIONS	Ø 160 mm
MAGNIFICATION	3.5 (approx. enlargement up to 1.9x)
LENS MATERIAL	PMMA
OPERATION EQUIPMENT	Electronic transformer
VOLTAGE	100-240 V; 50/60 Hz
CORD LENGTH	1.8 m
LUMINAIRE BODY	Polyamid (PA)
WEIGHT (NET)	2.0 kg
POWER CONSUMPTION	12 W
USAGE	Touch panel on light head
CLASS OF PROTECTION	I
PROTECTION RATING	IP 20
STANDARDS MET	EN 60601-1
SPECIAL FEATURES	Scratch-resistant plastic lens, continuously dimmable, rotary joint (360° turnover axis)
MOUNTING	Mounting pin (Ø 16 mm)
ACCESSORIES	Rolling floor stand, rail mount with removal guard, table clamp with removal guard, universal mount with removal guard, wall mount with removal guard

MAGNIFIER LUMINAIRE

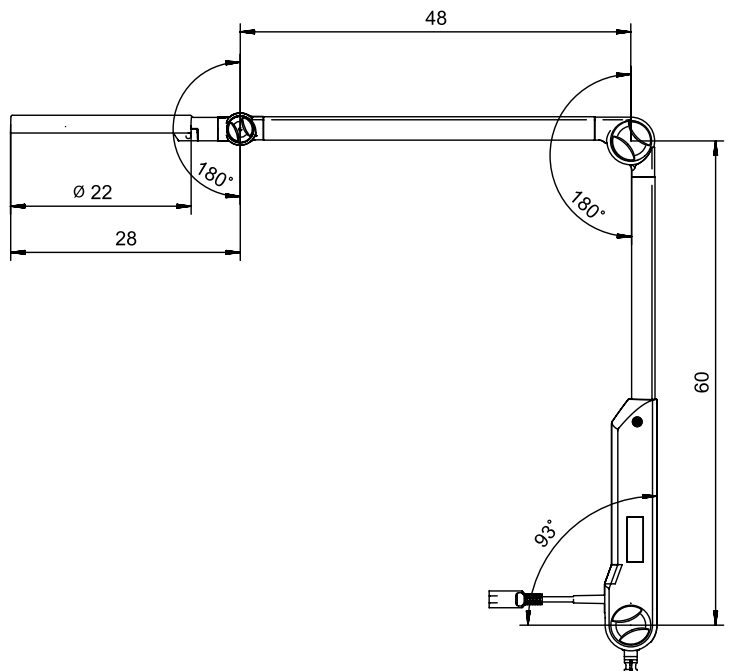


ORDER NUMBER	D15.815.000-00752618 - pure white - Euro D15.850.000-00752642 - pure white - UK
--------------	--

LIGHT DISTRIBUTION



TECHNICAL DRAWING



OPTICLUX Hand 10-2 UV (Wood's light)

TECHNICAL DATA	
FITTED WITH	1×LED module
LUMINOUS POWER	8000 lux @ 0.15 m *
COLOR RENDERING INDEX	CRI > 95, R9 > 93
COLOR TEMPERATURE	6500 K * & 365 nm (Wood's light)
LENS DIMENSIONS	Ø 160 mm (6.3 in.)
MAGNIFICATION	3.5 diopters (1.9 X)
LENS MATERIAL	PMMA
VOLTAGE	100 - 240 V; 50 / 60 Hz
CHARGING CABLE	USB-C, 1.5 m (5 ft.)
LUMINAIRE BODY	polycarbonate (PC) & acrylonitrile butadiene styrene copolymer (ABS)
WEIGHT (NET)	0.6 kg (1.3 lb)
POWER CONSUMPTION	7 W
USAGE	Touch panel on handle
BATTERY RUNTIME	Up to 3h
CLASS OF PROTECTION	II
PROTECTION RATING	IP 20
STANDARDS MET	IEC 60601-1
SPECIAL FEATURES	Ergonomic handle, scratch-resistant plastic lens, continuously dimmable, switchable to Wood's light, rechargeable battery, protective cover
ACCESSORIES	Table charging station
ORDER NUMBER	D16.005.000-807073 - pure white - Euro D16.067.000-807547 - pure white - USB

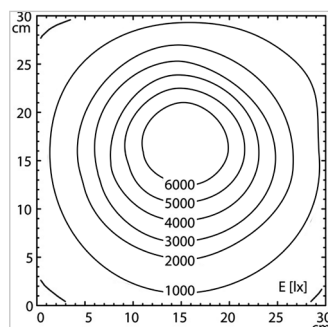
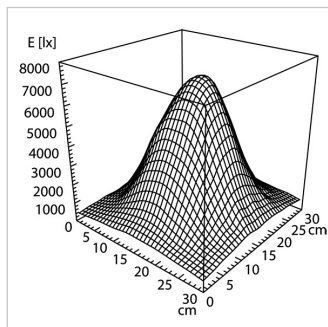
MAGNIFIER LUMINAIRE



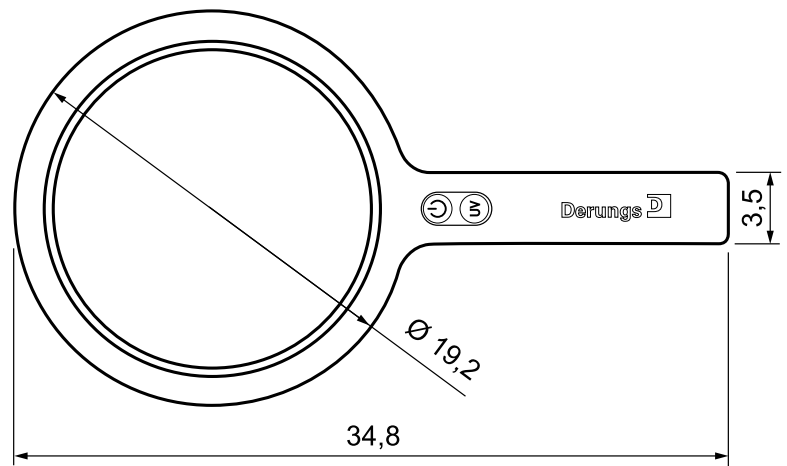
	Order No.
Opticlux Hand 10-2 UV Bundle*	D16.239.000-00814723 - Euro D16.240.000-00814724 - USB

* The bundle includes the OPTICLUX hand and the desk charging station.

LIGHT DISTRIBUTION



TECHNICAL DRAWING



OPTICLUX Hand 10-1 DL

TECHNICAL DATA	
FITTED WITH	1×LED module
LUMINOUS POWER	8 000 lux @ 0.15 m *
COLOR RENDERING INDEX	CRI > 95, R9 > 93
COLOR TEMPERATURE	6500 K *
LENS DIMENSIONS	Ø 160 mm (6.3 in) *
MAGNIFICATION	3.5 diopters (1.9 x)
LENS MATERIAL	PMMA
VOLTAGE	100 - 240 V; 50 / 60 Hz
CHARGING CABLE	USB-C, 1.5 m (5 ft.)
LUMINAIRE BODY	polycarbonate (PC) & acrylonitrile butadiene styrene copolymer (ABS)
WEIGHT (NET)	0.6 kg (1.3 lb)
POWER CONSUMPTION	7 W
USAGE	Touch panel on handle
BATTERY RUNTIME	Up to 3h
CLASS OF PROTECTION	II
PROTECTION RATING	IP 20
STANDARDS MET	IEC 60601-1
SPECIAL FEATURES	Ergonomic handle, scratch-resistant plastic lens, continuously dimmable, rechargeable battery, protective cover
ACCESSORIES	Table charging station
ORDER NUMBER	D16.004.000-807073 - pure white - Euro D16.066.000- 807546 - pure white - USB

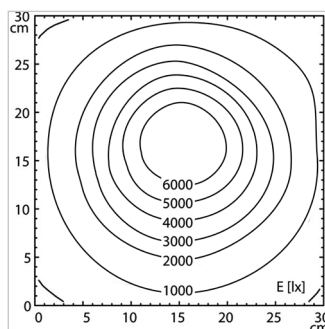
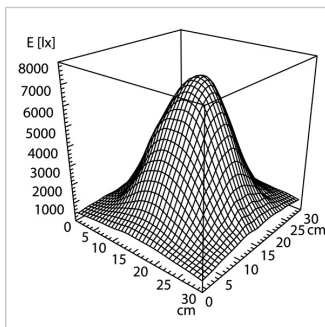
MAGNIFIER LUMINAIRE



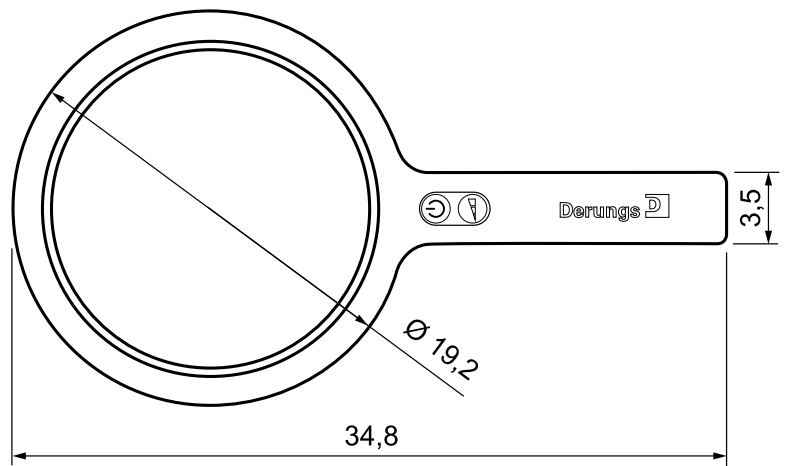
	Order No.
Opticlux Hand 10-1 DL Bundle*	D16.237.000-00814721 - Euro D16.238.000-00814722 - USB

* The bundle includes the OPTICLUX hand and the desk charging station.

LIGHT DISTRIBUTION



TECHNICAL DRAWING



AMALIA 9 P S4

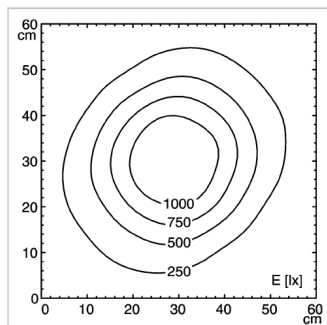
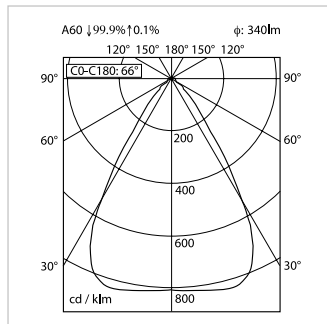
TECHNICAL DATA

FITTED WITH	1 x LED module W - D68.798.000
LUMINOUS POWER	1000 lux @ 0.5 m *
ILLUMINATED AREA 0.5 m	Ø 45 cm *
COLOR RENDERING INDEX	CRI > 95, R9 > 90
COLOR TEMPERATURE	3000 K *
OPERATION EQUIPMENT	Electronic plug-in transformer
VOLTAGE	100-240 V; 50/60 Hz
CORD LENGTH	2 m Euro
LUMINAIRE BODY	PC / Aluminium, painted
WEIGHT (NET)	1.5 kg
POWER CONSUMPTION	8 W
LUMINOUS FLUX	340 lm
BALANCE OF ARTICULATION JOINTS	Friction
CLASS OF PROTECTION	II
STANDARDS MET	EN 60598-1, EN 60598-2-25
SPECIAL FEATURES	Rotary feedthrough (360° Turnover axis), Night light (LED)
MOUNTING	Mounting pin (Ø 16 mm)
ACCESSORIES	Universal bedside adapter with roll-out protection, rail fastening with removal protection, table clamp with removal protection, universal fastening with removal protection, wall bracket with removal protection Lamp decor: Foil / Rattan, Lamp shade: white
ORDER NUMBER	D15.250.000-00624990

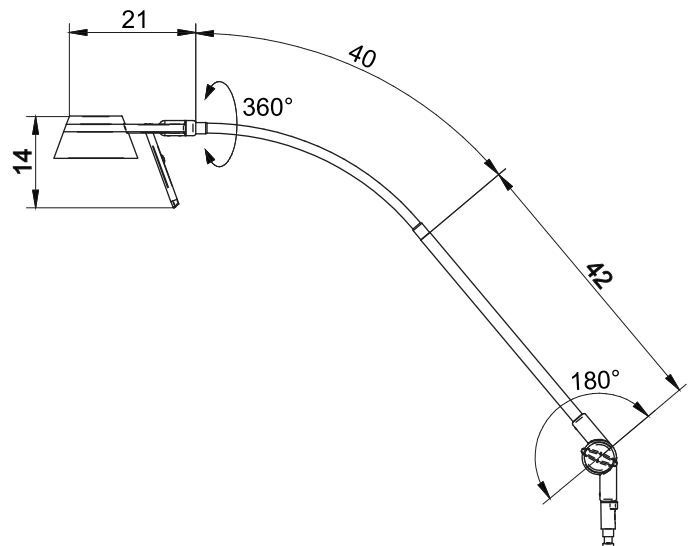
CARE LIGHTS



LIGHT DISTRIBUTION



TECHNICAL DRAWING



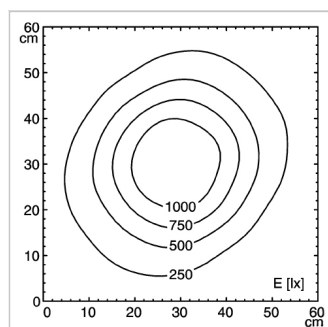
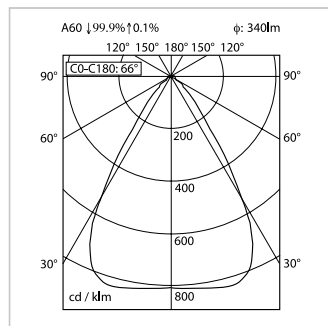
AMALIA 9 P S4 clinic

TECHNICAL DATA	
FITTED WITH	1 x LED module
LUMINOUS POWER	1000 lux @ 0.5 m *
ILLUMINATED AREA 0.5 m	Ø 45 cm *
COLOR RENDERING INDEX	CRI > 95, R9 > 90
COLOR TEMPERATURE	3000 K *
OPERATION EQUIPMENT	Electronic plug-in transformer
VOLTAGE	100-240 V; 50/60 Hz
CORD LENGTH	2 m Euro
LUMINAIRE BODY	PC / Aluminium, painted
WEIGHT (NET)	1.5 kg
POWER CONSUMPTION	8 W
LUMINOUS FLUX	340 lm
BALANCE OF ARTICULATION JOINTS	Friction
CLASS OF PROTECTION	II
STANDARDS MET	EN 60598-1, EN 60598-2-25
SPECIAL FEATURES	Rotary feedthrough (360° Turnover axis), Night light (LED)
MOUNTING	Mounting pin (Ø 16 mm)
ACCESSORIES	Universal bedside adapter with roll-out protection, adaptation plug (CEE 7/IV; CEE 7/VII/BS 1363 A), rail fastening with removal protection, table clamp with removal protection, universal fastening with removal protection, wall bracket with removal protection, connection to Dewert bed drive control unit (on request)
ORDER NUMBER	D15.360.000-00643366 - pure white Light head and joint - white aluminum

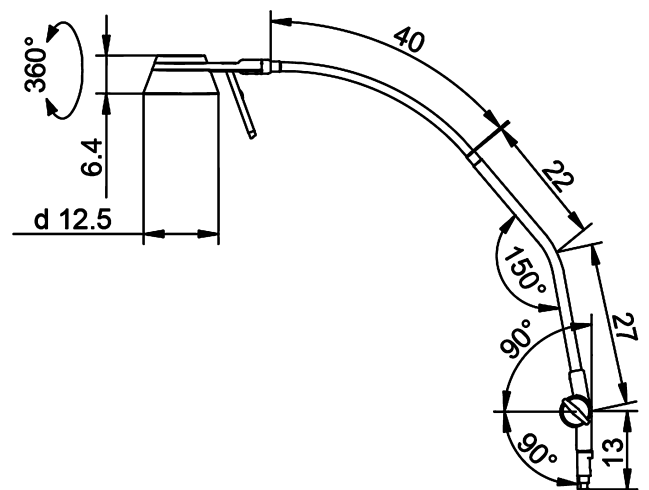
CARE LIGHTS



LIGHT DISTRIBUTION



TECHNICAL DRAWING



AMALIA 9 P S7

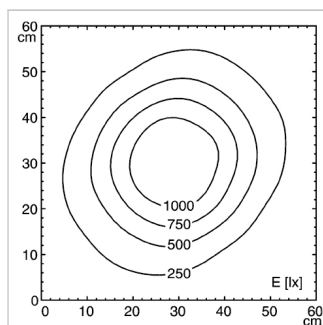
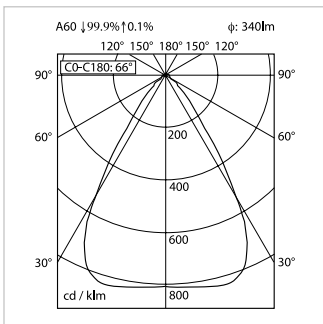
TECHNICAL DATA

FITTED WITH	1 × LED module
LUMINOUS POWER	1000 lux @ 0.5 m *
ILLUMINATED AREA 0.5 m	Ø 45 cm *
COLOR RENDERING INDEX	IRC > 95, R9 > 90
COLOR TEMPERATURE	3000 K *
OPERATION EQUIPMENT	Electronic plug-in transformer
VOLTAGE	100-240 V; 50/60 Hz
CORD LENGTH	2 m Euro
LUMINAIRE BODY	PC / Aluminium, painted
WEIGHT (NET)	1.5 kg
POWER CONSUMPTION	8 W
LUMINOUS FLUX	340 lm
CLASS OF PROTECTION	II
STANDARDS MET	EN 60598-1, EN 60598-2-25
SPECIAL FEATURES	Rotary feedthrough (360° Turnover axis), Night light (LED)
MOUNTING	Mounting pin (Ø 16 mm) Universal bedside adapter with roll-out protection, rail fastening with removal protection, table clamp with removal protection, universal fastening with removal protection, wall bracket with removal protection
ACCESSORIES	Lamp decor: Foil / Rattan, Lamp shade: white
ORDER NUMBER	D15.251.000-00624993

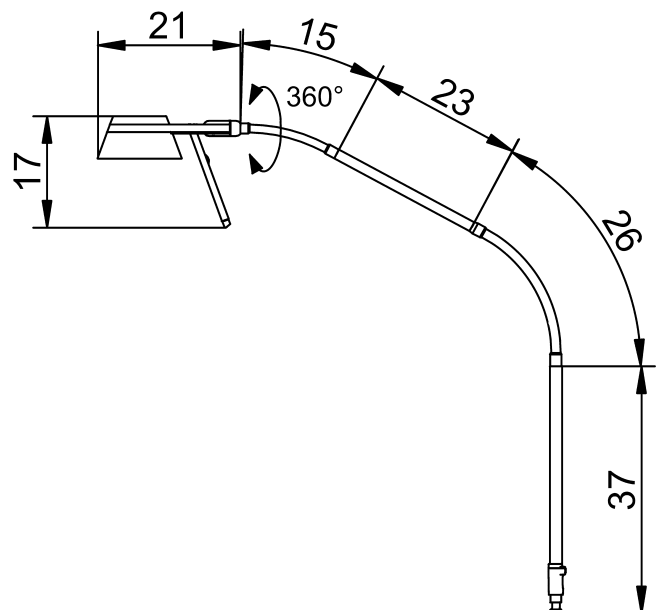
CARE LIGHTS



LIGHT DISTRIBUTION



TECHNICAL DRAWING



AMALIA 9 B S8

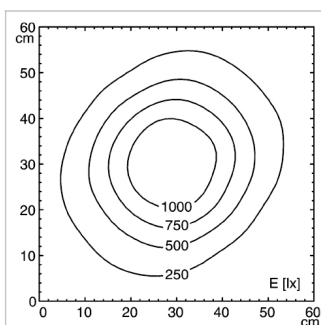
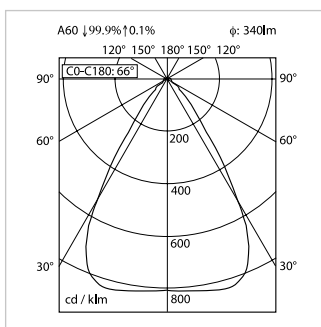
TECHNICAL DATA

FITTED WITH	1 × LED module
LUMINOUS POWER	1000 lux @ 0.5 m *
ILLUMINATED AREA 0.5 m	Ø 45 cm *
COLOR RENDERING INDEX	CRI > 95, R9 > 90
COLOR TEMPERATURE	3000 K *
OPERATION EQUIPMENT	Electronic plug-in transformer
VOLTAGE	100-240 V; 50/60 Hz
CORD LENGTH	2 m Euro
LUMINAIRE BODY	PC / Aluminium, painted
WEIGHT (NET)	1.5 kg
POWER CONSUMPTION	8 W
LUMINOUS FLUX	340 lm
CLASS OF PROTECTION	II
STANDARDS MET	EN 60598-1, EN 60598-2-25
SPECIAL FEATURES	Rotary feedthrough (360° Turnover axis), Night light (LED)
MOUNTING	Universal bed adapter
ACCESSORIES	Lamp decor: Foil / Rattan, Lamp shade: white
ORDER NUMBER	D15.252.000-00621729

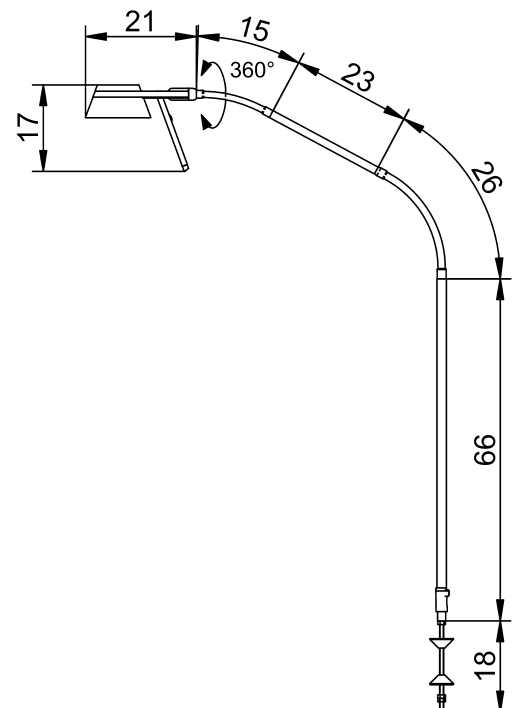
CARE LIGHTS



LIGHT DISTRIBUTION



TECHNICAL DRAWING

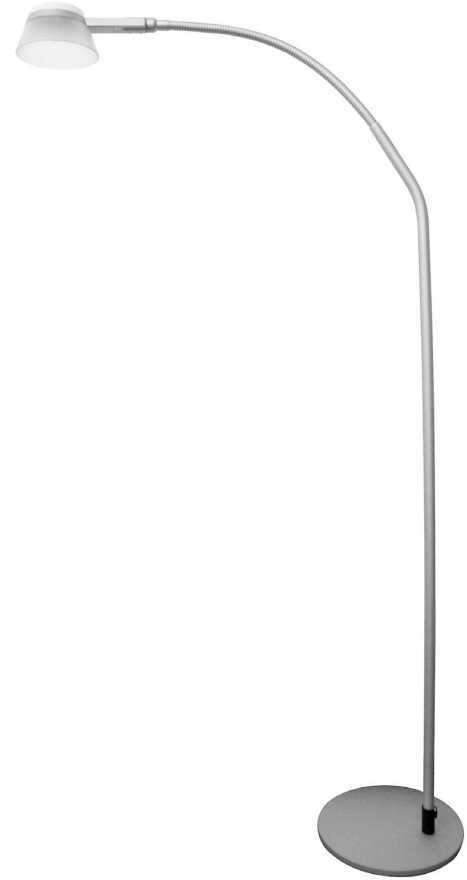


AMALIA 9 F S3 (30°)

TECHNICAL DATA

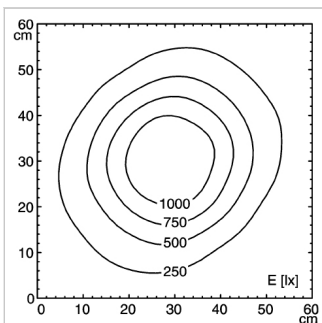
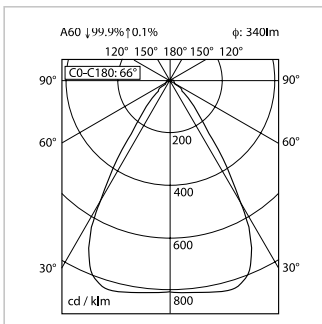
FITTED WITH	1 × LED module
LUMINOUS POWER	1000 lux @ 0.5 m *
ILLUMINATED AREA 0.5 m	Ø 45 cm *
COLOR RENDERING INDEX	CRI > 95, R9 > 90
COLOR TEMPERATURE	3000 K *
OPERATION EQUIPMENT	Electronic plug-in transformer
VOLTAGE	100-240 V; 50/60 Hz
CORD LENGTH	2 m Euro
LUMINAIRE BODY	PC / aluminium, painted
WEIGHT (NET)	4.9 kg
POWER CONSUMPTION	8 W
LUMINOUS FLUX	340 lm
CLASS OF PROTECTION	II
STANDARDS MET	EN 60598-1, EN 60598-2-25
SPECIAL FEATURES	Frame angled 30°, reading light and night light switched in sequence, without handgrip, rotary feed-through (360° Turnover axis)
MOUNTING	Base (floor)
ACCESSORIES	Lamp decor: Foil / Rattan, Lamp shade: white
ORDER NUMBER	D15.382.000-00635063 - white aluminum D15.383.000-00646643 - pure white

CARE LIGHTS

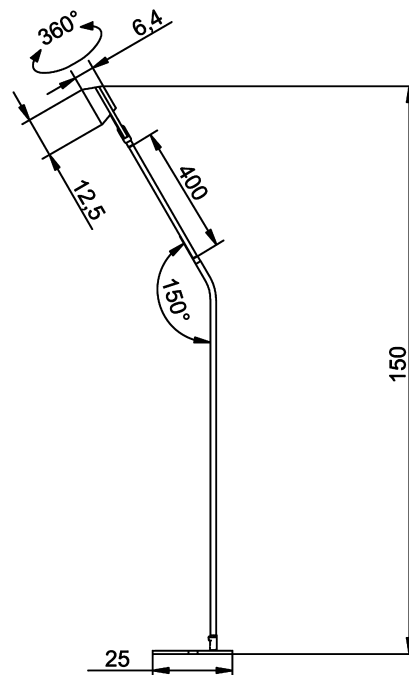


LIGHT DISTRIBUTION

Measuring distance 0.5 m



TECHNICAL DRAWING



CULTA LED S 4 P S3

TECHNICAL DATA

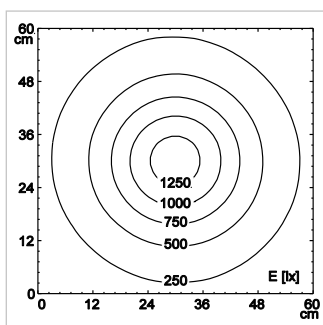
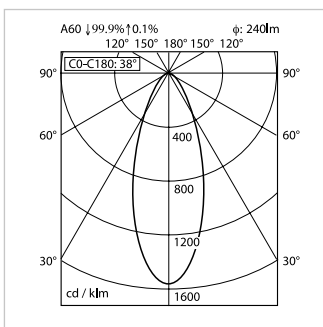
FITTED WITH	1 × LED Spotlight MR 11 D69.009.000-00686991 - 12 V
LUMINOUS POWER	1100 lux @ 0.5 m *
ILLUMINATED AREA 0.5 m	Ø 60 cm *
COLOR RENDERING INDEX	CRI > 80
COLOR TEMPERATURE	3000 K *
OPERATION EQUIPMENT	Electronic plug-in transformer
VOLTAGE	100-240 V; 50/60 Hz
CORD LENGTH	2 m Euro
LUMINAIRE BODY	Polycarbonate (PC), satin
WEIGHT (NET)	1.6 kg
POWER CONSUMPTION	4 W
LUMINOUS FLUX	240 lm
USAGE	Cord switch
CLASS OF PROTECTION	II
STANDARDS MET	EN 60598-1, EN 60598-2-25
SPECIAL FEATURES	Cord switch
MOUNTING	Mounting pin (Ø 16 mm)
ACCESSORIES	Lamp decor: Foil / Rattan, Lamp shade: white
ORDER NUMBER	D15.727.000-00689653

CARE LIGHTS

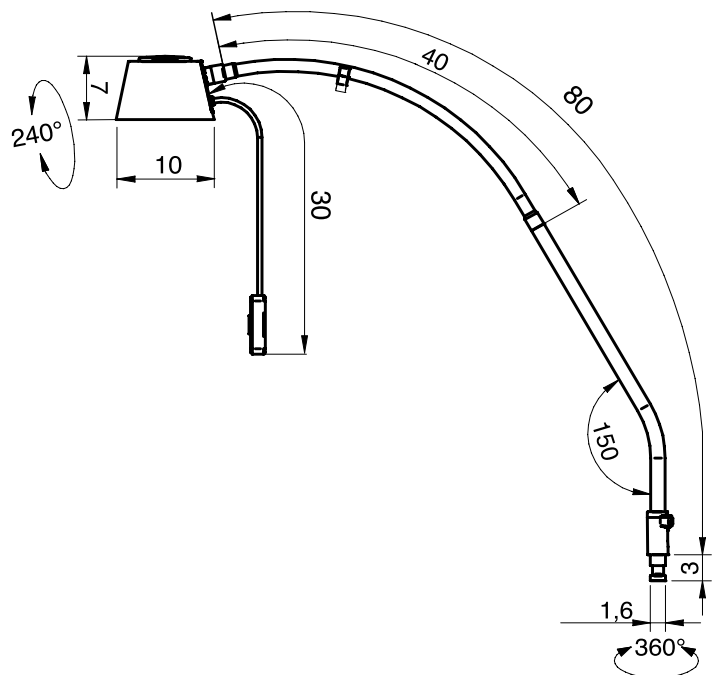


LIGHT DISTRIBUTION

Measuring distance 0.5 m



TECHNICAL DRAWING



CULTA LED S 4 B S9

TECHNICAL DATA

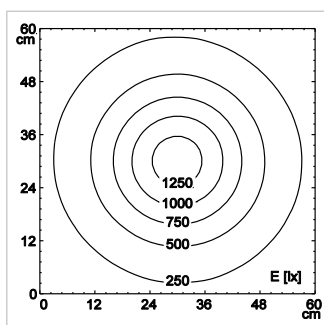
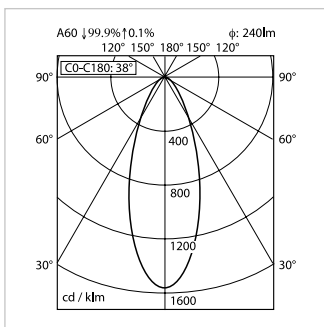
FITTED WITH	1 × LED Spotlight MR 11 D69.009.000-00686991 - 12 V
LUMINOUS POWER	1100 lux @ 0.5 m *
ILLUMINATED AREA 0.5 m	Ø 60 cm *
COLOR RENDERING INDEX	CRI > 80
COLOR TEMPERATURE	3000 K *
OPERATION EQUIPMENT	Electronic plug-in transformer
VOLTAGE	100-240 V; 50/60 Hz
CORD LENGTH	2 m Euro
LUMINAIRE BODY	Polycarbonate (PC), satin
WEIGHT (NET)	1.6 kg
POWER CONSUMPTION	4 W
LUMINOUS FLUX	240 lm
USAGE	Cord switch
CLASS OF PROTECTION	II
STANDARDS MET	EN 60598-1, EN 60598-2-25
SPECIAL FEATURES	Cord switch
MOUNTING	Universal bed adapter
ORDER NUMBER	D15.725.000-00689635

CARE LIGHTS

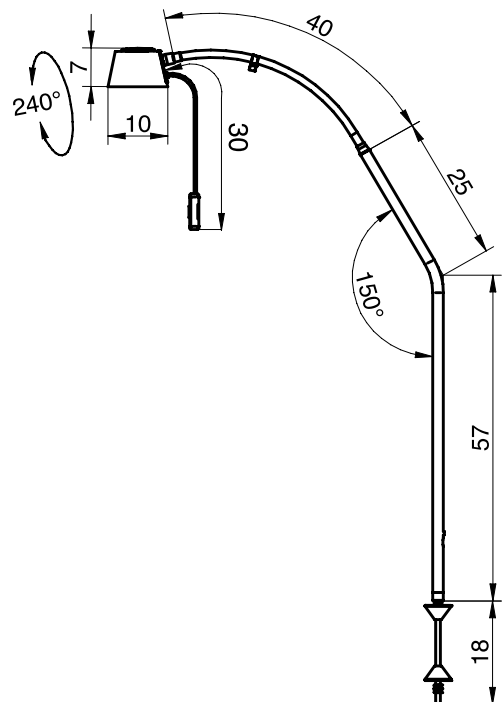


LIGHT DISTRIBUTION

Measuring distance 0.5 m



TECHNICAL DRAWING



measurements in centimeters

FASTENING HARDWARE

STANDARD 25 × 10 MM WALL RAIL SYSTEM

TECHNICAL DATA

MATERIAL	Aluminum
FINISH	Natural-anodised
DIMENSIONS	25 × 10 mm, Length 1 m and 1.5 m
WEIGHT (NET)	2.5 kg
NORM	EN ISO 19054
ORDER NO.	D13.505.000-00647049 – Rail length 1 m, including 2 holder for attaching the wall rail D13.506.000-00630687 – Rail length 1.5 m, including 3 holder for attaching the wall rail D56.045.000-00647052 – Double fixtures 80 mm to Rail, compl. Project-specific lengths on request, possible up to 6 m



The Derungs Wall Rail can be fitted easily in any rooms and offers an excellent attachment for Derungs medical luminaires, accessories and other medical equipment.

This renders the luminaires, accessories and other medical equipment flexible in relation to position and they can be adapted to the relevant application. The workplace can thus be configured ergonomically and optimally for the user.

Easy slideability of the reading lights and examination lights allows flexible arrangement of the beds, thus creating more free space and greater space for other equipment at the patient's bedside.

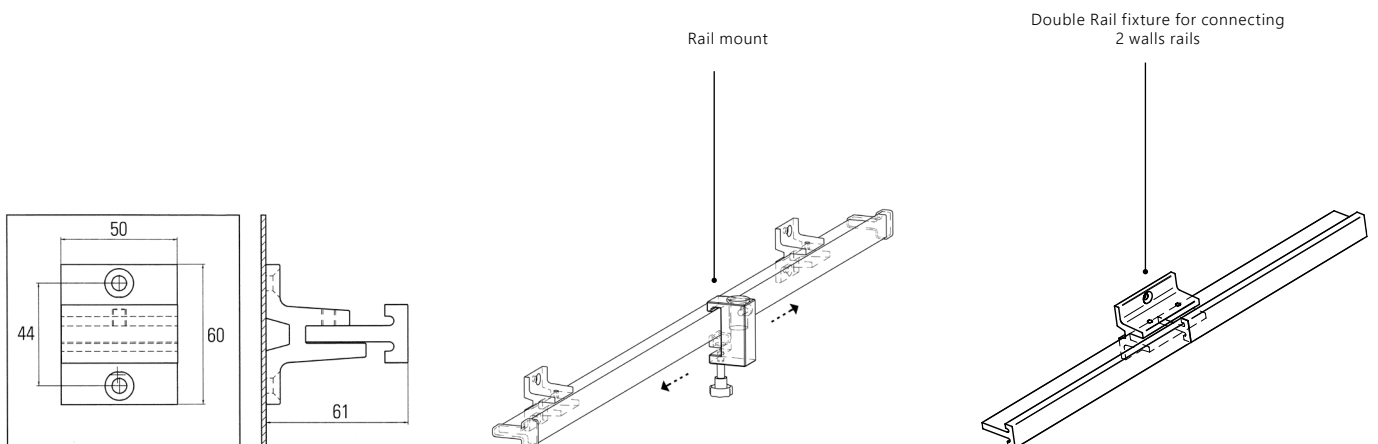
The Wall Rail can also be attached easily to other medical equipment such as medical care equipment, respiration equipment, anaesthetics workstations, mobile trolleys and beds. There are no limits to use of the Wall Rail.

The European Standard stipulates fundamen-

tal requirements in order to ensure compatibility between Rail systems and medical equipment. The rugged design of the Wall Rail allows a high loadbearing capacity. The surface of the Wall Rail is anodised and can thus be easily cleaned and protected against oxidation.

Fastening: the Wall Rail can be mounted very easily on any firm base surface.

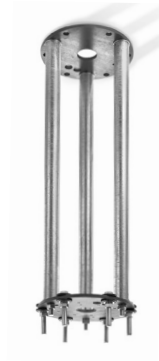
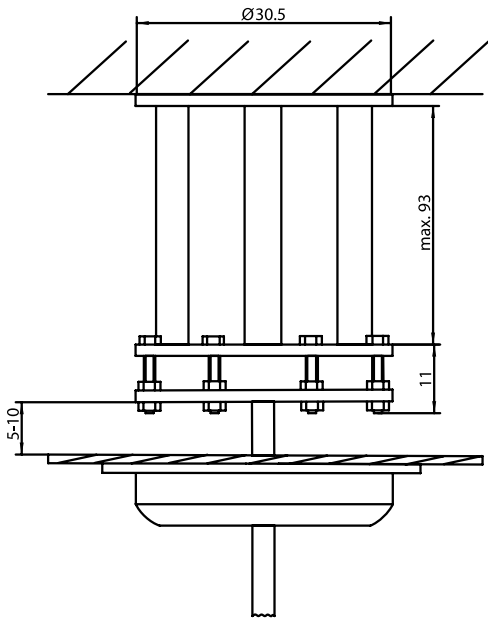
TECHNICAL DRAWING



INTERMEDIATE CEILING ADAPTER

TECHNICAL DATA

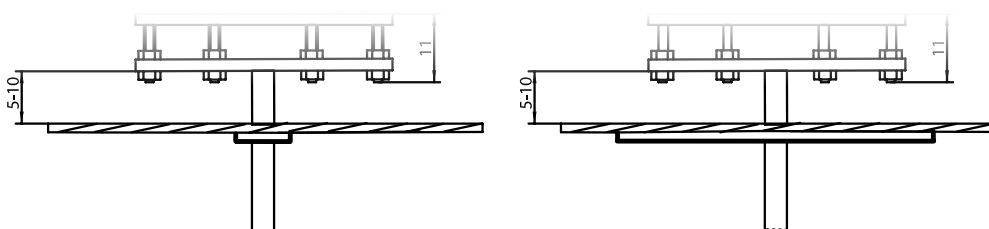
SUITABLE FOR LAMP	TRIANGO VISIANO 20-2 OPTICLUX
MATERIAL	steel
WEIGHT (NET)	28 kg
LENGTH	max. 93 cm, cutting to length on request / as necessary
ORDER NUMBER	D15.074.000-00632785



SET INTERMEDIATE CEILING COVER PLATE

TECHNICAL DATA

SUITABLE FOR LAMP	TRIANGO VISIANO 20-2 OPTICLUX
MATERIAL	Hard PVC plate
ORDER NUMBER	
$\varnothing 100$ mm	D12.853.000-00814439
$\varnothing 385$ mm	D15.378.000-00663168



BEDSIDE TABLE ADAPTER

TECHNICAL DATA

DESCRIPTION	Extension adapter on bedside table
MATERIAL	Steel, black zinc-coated
COLOR	Black
WEIGHT (NET)	0.02 kg
FOR PIN Ø	16 mm-W with removal guard
ORDER NUMBER	D14.152.000-00647311



EXTENSION ARM

TECHNICAL DATA

MATERIAL	steel
FINISH	Steel tube powder-coated
DIMENSIONS	400 mm, Ø 16 mm
WEIGHT (NET)	0.65 kg
FOR PIN Ø	16 mm-W with removal guard
LOAD CAPACITY	2.5 kg
ORDER NUMBER	D13.363.000-00647314 - pure white

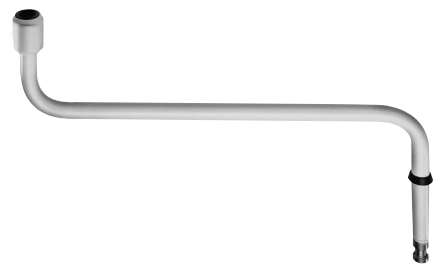


TABLE CLAMP

TECHNICAL DATA

MATERIAL	Polyamid steel
FINISH	Coated
ADJUSTABLE RANGE	0-70 mm
WEIGHT (NET)	0.350 kg
FOR PIN Ø	16 mm-W with removal guard
ORDER NUMBER	D14.228.000-00625467 - black



UNIVERSAL MOUNT

TECHNICAL DATA

MATERIAL	Polyamid GF
DIMENSIONS	60 × 60 × 60 mm
WEIGHT (NET)	0.09 kg
FOR PIN Ø	16 mm-W with removal guard
ORDER NUMBER	D13.430.000-00627986 - pure white



RAIL MOUNT

TECHNICAL DATA

MATERIAL	Aluminium
FINISH	Natural-anodised
EQUIPMENT RAIL	25-35 × 8-10 mm
WEIGHT (NET)	0.16 kg
FOR PIN Ø	16 mm-W with removal guard
ORDER NUMBER	D13.269.000-007069



RAIL MOUNT GYNAECOLOGY CHAIR

TECHNICAL DATA

MATERIAL	Aluminium
FINISH	Natural-anodised
EQUIPMENT RAIL	25-35 × 8-10 mm
WEIGHT (NET)	0.16 kg
FOR PIN Ø	16 mm-W with removal guard and brake function
ORDER NUMBER	D10.127.000-00809569



WALL MOUNT

TECHNICAL DATA

MATERIAL	Polyamid GF
WEIGHT (NET)	0.14 kg
FOR PIN Ø	16 mm-W with removal guard with cable outlet
ORDER NUMBER	D13.231.000-00522182 - pure white



WALL MOUNT (ALU)

TECHNICAL DATA

MATERIAL	Aluminium
WEIGHT (NET)	0.15 kg
DISTANCE TO THE WALL	76 mm
FOR PIN Ø	16 mm-W with removal guard with cable outlet
ORDER NUMBER	D15.435.000-00659957



TUBULAR MOUNT

TECHNICAL DATA

For round and oval profiles Ø 30 mm to 40 mm, pure white, Distance to pipe 70 mm

ORDER NUMBER	D12.313.000-00630672
--------------	----------------------



ROLLER STAND RL

TECHNICAL DATA	
MATERIAL	Steel
FINISH	– Tube: white – Foot: plastic – Casters: twin plastic casters, with 5 brakes
DIMENSIONS	1.0 m, Ø 700 mm
WEIGHT (NET)	7.5 kg
FOR PIN Ø	16 mm-W with removal guard with cable suspension device
ORDER NUMBER	D15.595.000-00656247



ACCESSORIES HANDLE

TECHNICAL DATA		
ORDER NUMBER	Sterilizable surgical handle for TRIANGO 80	D10.295.000-00703690
ORDER NUMBER	Sterilizable Handle for TRIANGO 130, 100 und 60	D10.442.000-00802948
ORDER NUMBER	Disposable cover 1 pack of 100 pcs.	D15.445.000-00714913
ORDER NUMBER	Sterilizable surgical handle for TRIANGO 130, 100 und 60	D10.052.000

<p>Sterilizable surgical handle</p>  <ul style="list-style-type: none"> • TRIANGO 80 	<p>Disposable cover</p>  <ul style="list-style-type: none"> • Family TRIANGO
<p>Sterilizable Handle</p>  <ul style="list-style-type: none"> • TRIANGO 130 • TRIANGO 100 • TRIANGO 60 	<p>Sterilizable surgical handle</p>  <ul style="list-style-type: none"> • TRIANGO 130 • TRIANGO 100 • TRIANGO 60

OPTICLUX HAND DESK CHARGING STATION

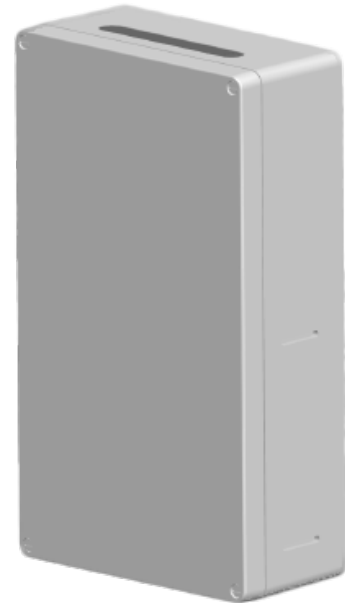
TECHNICAL DATA	
MATERIAL	Steel plate
CONNECTION CABLE	USB
WEIGHT (NET)	860 g
SPECIAL FEATURES	Convertible to a wall bracket
ORDER NUMBER	D16.173.000-00814095



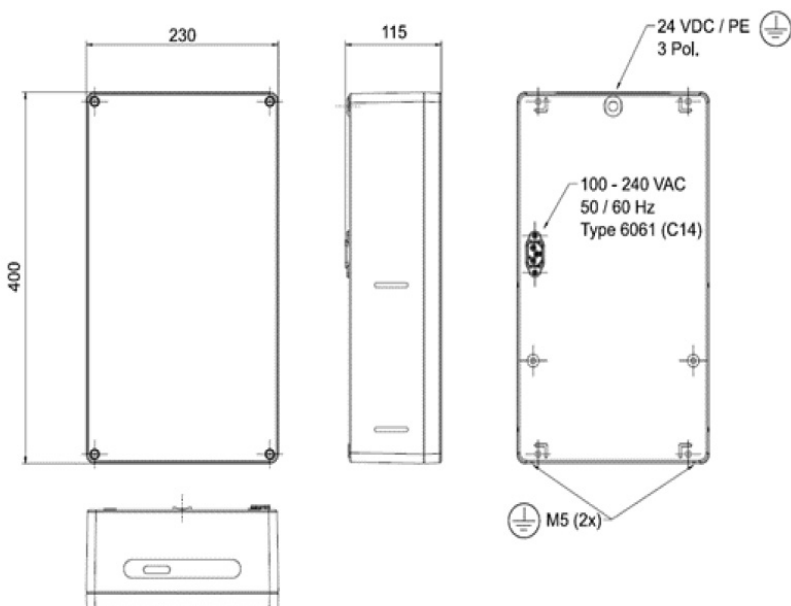
BATTERY - UPSmed Pack

TECHNICAL DATA

RATED INPUT VOLTAGE	100 - 240 VAC
FREQUENCY RANGE	50 / 60 Hz
POWER CONSUMPTION, MAX.	120 VA
TESTED SECONDARY CONSUMPTION, MAX.	45 W
SECONDARY VOLTAGE	24 VDC output (3 pole cable)
AMBIENT TEMPERATURE - WHEN FULLY CHARGED (STORAGE AND TRANSPORT)	-20°C bis +60°C
AMBIENT TEMPERATURE (OPERATION)	+10°C bis +35°C
REL. HUMIDITY (NON-CONDENSING)	max. 75%
MAXIMUM HEIGHT FOR OPERATION	2000 m. a. s. l.
MINIMUM AIR PRESSURE FOR OPERATION	80 kPa
WEIGHT	12 kg
MATERIAL (CASE)	Aluminium
SUPPLY NETWORK PROTECTION CLASS	Protection class I and internal power supply
PROTECTION CLASS	IP 20
MEDICAL PRODUCT CLASS	I according to MDR
ELECTRICAL SAFETY TESTING AND EMC ACCORDING TO	AAMI ES60601-1: 2005/A2:2010/(R)2012 CAN/CSA-C22.2 No 60601-1:14 IEC 60601-1:2005 + A1:2012 IEC 60601-1-2:2014
BESTELL-NR.	D16.217.000



TECHNICAL DRAWING



TECHNICAL DATA

TYP	NP17-12I Industrial VRLA Battery
LENGTH	181 (+/-1) mm
WIDTH	76 (+/-1) mm
HEIGHT	167 (+/-1) mm
WEIGHT	6.1 kg
NOMINAL VOLTAGE	12 V
20-HR RATE CAPACITIV TO 10.5V AT 20°C	17 Ah
10-HR RATE CAPACITY TO 10.8V AT 20°C	15.7 Ah
INTERNAL RESISTANCE - ACCORDING TO EN IEC 60896-21	34.47 mΩ
SHORT-CIRCUIT CURRENT - ACCORDING TO EN IEC 60896-21	421 A
STRUCTURE	Sealed construction Valve-controlled design Electrolyte suspension system Gas recombination
BATTERY LIFE UP TO 70%	1200 Cycles



TANEO LAB ADDITIONAL MAGNIFYING LENS

TECHNICAL DATA	
MAGNIFICATION	3.5
SPECIAL FEATURES	easy mounting with clip
ORDER NUMBER	00575900



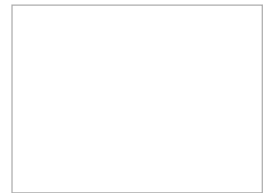
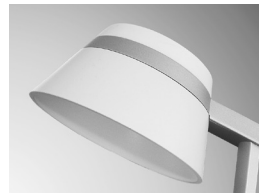
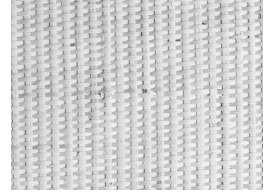
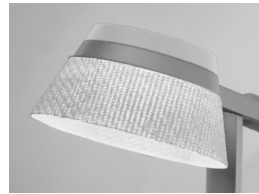
ACCESSORIES

DECOR

TECHNICAL DATA	
SUITABLE FOR LAMP	AMALIA
DECOR	Rattan
ORDER NUMBER	needed, non washable D53.718.000-00643971

SUITABLE FOR LAMP	AMALIA
DECOR	Foil
ORDER NUMBER	glued, washable D53.719.000-00646646

SUITABLE FOR LAMP	AMALIA
DECOR	white shade
ORDER NUMBER	painted, washable D53.739.000-00646649



REPLACEMENT LED BULBS

LOW-VOLT COLD-LIGHT REFLECTOR LAMP

TECHNICAL DATA	
SUITABLE FOR LAMP	CULTA LED
TECHNICAL DATA	DC/AC 12 V / 4 W / 30°
DESIGNATION	LED-Retrofit, MR11, 3000 K
ORDER NUMBER	D69.009.000-00686991

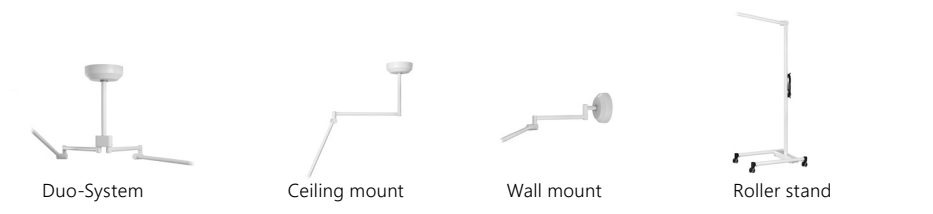


SUPPORT ARM SYSTEMS - ON REQUEST

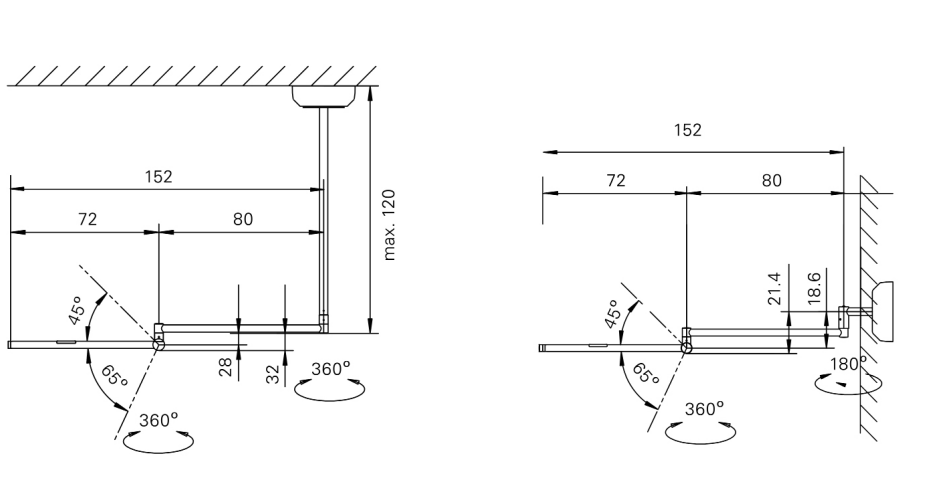
TENO – CUSTOMER SPECIFIC SOLUTIONS

TECHNICAL DATA

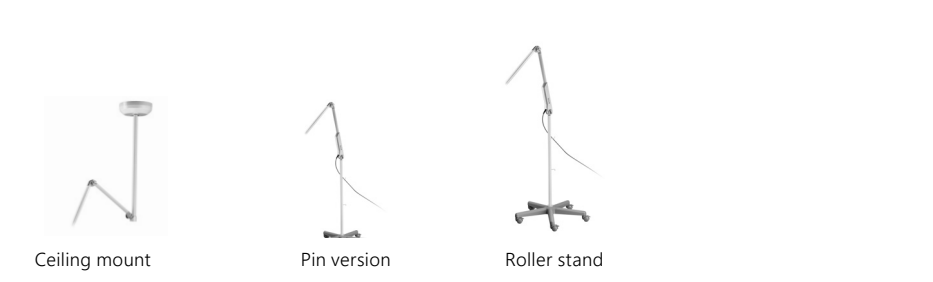
LENGTH - SPRING ARM TO CENTRE OF GRAVITY (MM)*	LOAD CAPACITY AT CENTRE OF GRAVITY (N)	CABLE DIAMETER MAX. (MM)
800	40	8
900	35	8
1000	30	8
1100	25	8



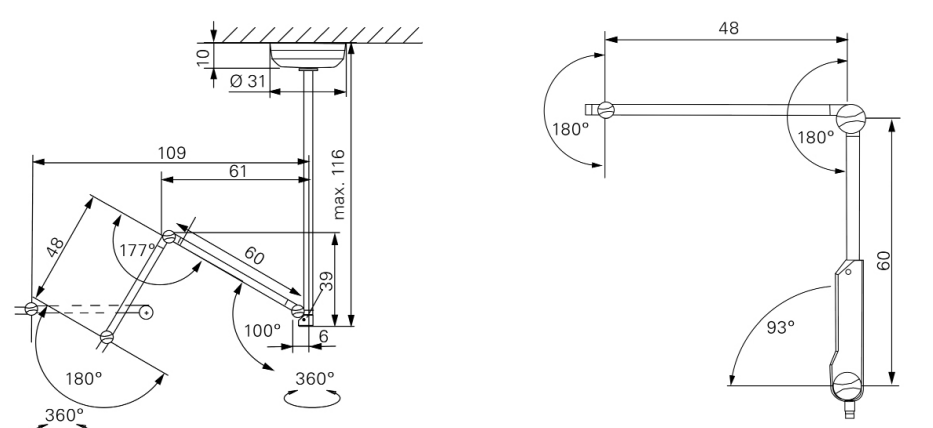
CEILING MOUNT | WALL MOUNT | ROLLER STAND



VISO - CUSTOMER SPECIFIC SOLUTIONS



CEILING MOUNT | MOUNTING PIN | ROLLER STAND



100% medical engineering



Until now, the production and distribution of the medical lighting and room luminaire portfolio has been carried out by the international subsidiaries of the Waldmann Group. On 1 January 2023, the ZERA, VIVAA 2.0 and VIVAA Ring room luminaires will become the responsibility of Herbert Waldmann GmbH & Co. KG in Villingen-Schwenningen.

In future, the Derungs team will concentrate on the development and marketing of medical luminaires for human and veterinary medicine. The portfolio includes various minor surgical lights, different examination lights as well as Care lights.

The Derungs brand offers innovative lighting solutions for various medical specialities, such as hospitals, dermatology, cosmetic surgery, gynaecology, urology and general medicine, as well as for dentists and dental laboratories.

Discover the Derungs world at:
www.derungs.swiss

We are networkers



Quality management



Our awards



reddot winner





Consulting & distribution

Headquarter

Derungs Licht AG

Hofmattstrasse 12
9200 Gossau
Switzerland
+41 71 388 11 66
mailbox@derungs.swiss

Germany

Derungs Medical GmbH

Rudolf-Diesel-Strasse 2
78239 Rielasingen-Worblingen
Germany
+49 7731 909 71 90
info@derungsmedical.com

France

Waldmann Eclairage S.A.S.
Zone Industrielle
Rue de l'Embranchement
67116 Reichstett
France
Tel. +33 3 88 20 95 88
www.waldmann.com
info-fr@waldmann.com

Italy

Waldmann Illuminotecnica S.r.l.
Via della Pace, 18 A
20098 San Giuliano Milanese (MI)
Italy
Tel. +39 02 98 24 90 24
Fax +39 02 98 24 63 78
www.waldmann.com
info-it@waldmann.com

Netherlands

Waldmann B.V.
De Ooyen 25,
4191 PB Geldermalsen,
Netherlands
Tel. +31 344 631019
info-nl@waldmann.com

Austria

Waldmann Lichttechnik Ges.m.b.H.
Gewerbepark Wagram 7
4061 Pasching/Linz
Austria
Tel. +43 7229 67400
Fax +43 7229 67444
www.waldmann.com
info-at@waldmann.com

Sweden

Waldmann Ljusteknik AB
Botvid Business Center
Fågelviksvägen 9
SE-145 53 Norsborg
Sweden
Tel. +46 8 990 350
Fax +46 8 991 609
www.waldmann.com
info-se@waldmann.com

Switzerland

Waldmann Lichttechnik GmbH
Benkenstrasse 57
5024 Küttigen
Switzerland
Tel. +41 62 839 1212
Fax +41 62 839 1299
www.waldmann.com
info-ch@waldmann.com

USA

Waldmann Lighting Company
9 W. Century Drive
Wheeling, Illinois 60090
USA
Tel. +1 847 520 1060
Fax +1 847 520 1730
www.waldmannlighting.com
waldmann@waldmannlighting.com

China

Waldmann Lighting (Shanghai) Co., Ltd.
Part A11a, No. Five Normative Workshop
199 Changjian Road, Baoshan
SHANGHAI, P.R.C. 200949
China
Tel. +86 21 5169 1799
Fax +86 21 3385 0032
www.waldmann.com.cn
info-cn@waldmann.com

Register products

Enroll your Derungs medical luminaire and benefit from: 1 year additional warranty. Update of information on the Derungs products according to MDR.

www.derungs.swiss/product-registration

www.derungs.swiss

